

Technical Datasheet

AURIGA M 1000 LED



TECHNICAL DATA

Type:	Floodlight with 28 high power LED modules
Material:	Housing and retaining bracket made of stainless steel, temperature change resistant safety tempered glass pane clear
Housing color:	All surfaces white powder-coated RAL 9016, other colors available on request
Cable glands:	M18x1.5, EMV, stainless steel
Weight:	11.6 kg $\pm 5\%$
Ambient temperature:	-25°C to +40 °C
IP protection class:	IP 66 and IP 67

ELECTRICAL DATA

Input voltage:	230 V AC 50/60 Hz, 115 V AC 50/60 Hz, 24 V DC
Power:	65 W

LIGHTING DATA

Color temperature:	6,300 K (daylight white)
Light current:	Aprox. 9,000 lm
Beam angle:	10°, 28°, 62°
Lifetime diode:	50,000 hrs.



Date of issue: 19.04.2023
Doc.no.: DB-2AUR-21
Rev no.: 02
Subject to changes

Headquarters in Hamburg
KARL DOSE GmbH
Försterweg 73-77
22525 Hamburg
Germany

Contact us:
Website: www.karl-dose.com
Phone: 0049 (0)40 547322-0
E-Mail: sales@karl-dose.de

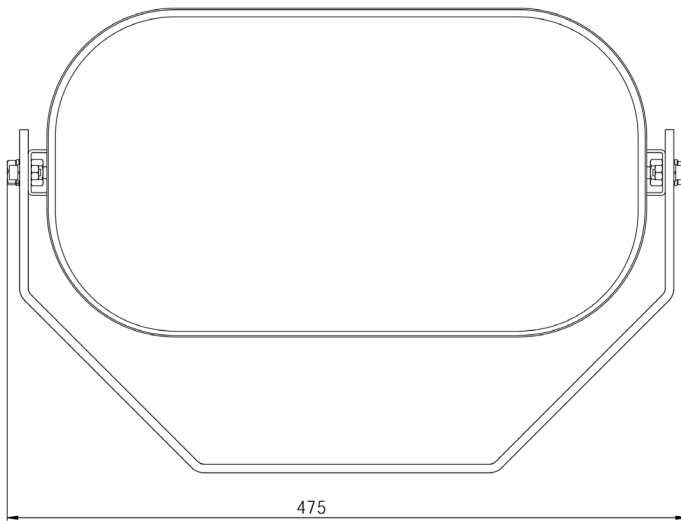
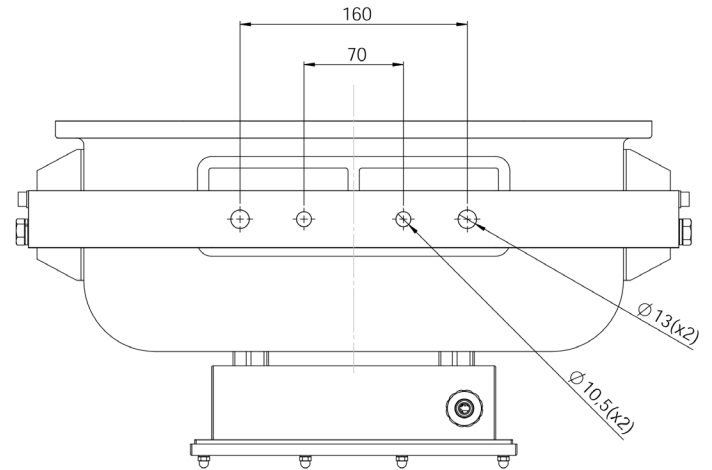
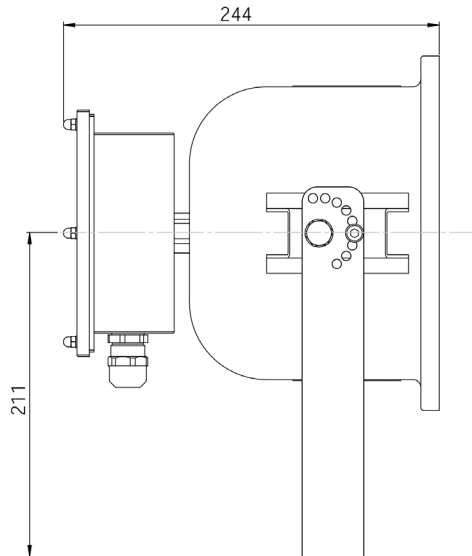


Technical Datasheet

AURIGA M 1000 LED



FIGURES



Date of issue: 19.04.2023
Doc.no.: DB-2AUR-21
Rev no.: 02
Subject to changes

Headquarters in Hamburg
KARL DOSE GmbH
Försterweg 73-77
22525 Hamburg
Germany

Contact us:
Website: www.karl-dose.com
Phone: 0049 (0)40 547322-0
E-Mail: sales@karl-dose.de

