



Lighting

Searchlights	10
Floodlights	26
Interior and exterior lighting.	36



Searchlights

As a leading manufacturer of lighting for ships, KARL DOSE's searchlights in particular belong to the highlights of the portfolio. Now that the transition from conventional light sources to LED is also required by law, KARL DOSE is benefiting from having established a broad LED portfolio at an early stage. In addition to the VIRGO family, which represents the premium line and is available in 6 different sizes, the ATRIA-family in 3 different sizes represents the product for the more price sensitive part of the market. With these two product families, all customer groups can be served. KARL DOSE is particularly proud of its customers from the SAR and Navy sectors - they were among the first customers and are still loyal to us today.





VIRGO 450

KARL DOSE's unique reflector technology enables our most powerful searchlight from the VIRGO-family to provide ranges over 5,000 meters in the extended range version. Available in deck (D), cabin (C), pedestal (P) and remote control (R) versions.

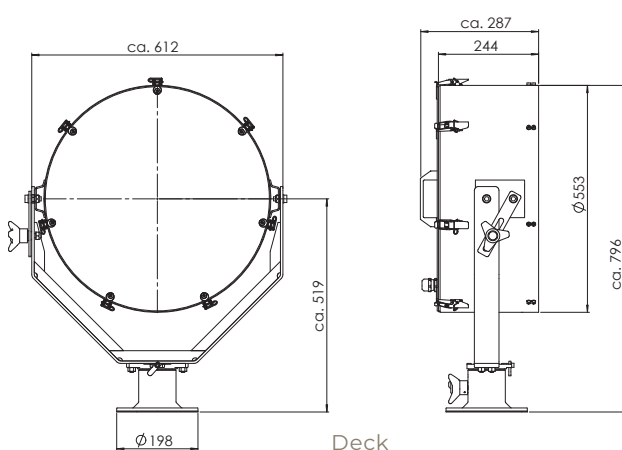
- + Certified according to DNV and RMRS
- + Particularly durable, thanks to high-quality materials such as stainless steel
- + Maximum range thanks to the KARL DOSE reflector technology

Technical Data

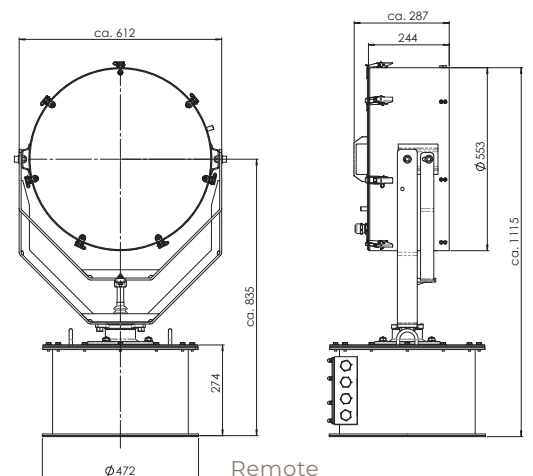
Material and color	Stainless steel powdercoated in RAL 9016, other colors on request
Weight	Deck: approx. 40.5 kg, Remote: approx. 89.5 kg
IP protection class	IP 56
Ambient temperature	-40°C to +45°C
Rotation / Tilt	Deck: 360° / -35° to +30°, Remote: 360° / -35° to +20°
Input voltage	230 V AC and 115 V AC at 50/60 Hz , 24 V DC
Wattage	max. 150 W
Range at 1lx	approx. 5,125 m
Luminous flux	approx. 23,200 lm
CCT (color)	6,500 K
Beam angle	1,5°; 3°; 5°; 8°
Lifetime Diode	>50,000 hrs.

Options

- Focus function
- Stabilization system
- Bus system
- Loudspeakers
- Camera
- Infrared-, Ultraviolet light
- Additional heating
- Morse function
- IP 67
- Extended Range



Deck



Remote

Searchlights

VIRGO 350



VIRGO 350

The slightly smaller brother of the VIRGO 450 - it effortlessly achieves ranges of up to 4,000 m and promises a long lifetime with its robust design.

Available in deck (D), cabin (C), pedestal (P) and remote control (R) versions.

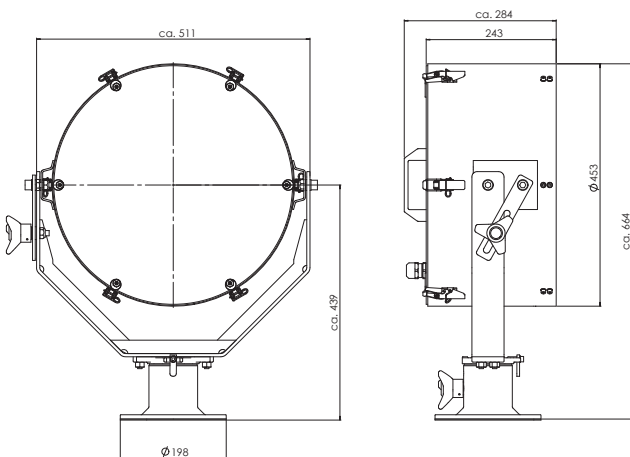
- + Certified according to DNV
- + Particularly durable thanks to high-quality materials such as stainless steel
- + Over 4,000 meters range, thanks to KARL DOSE reflector technology

Technical Data

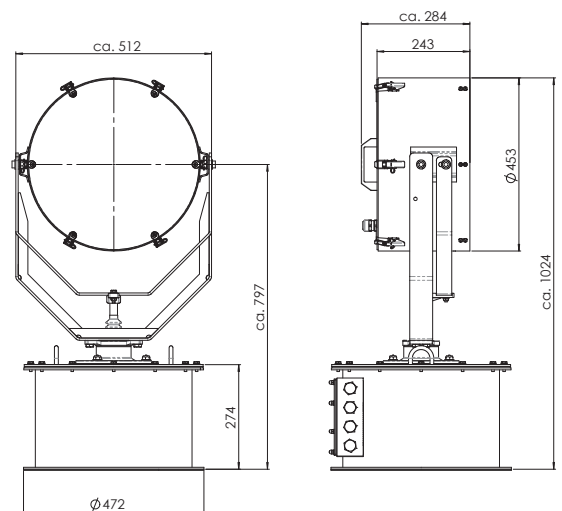
Material and color	Stainless steel powdercoated in RAL 9016, other colors on request
Weight	Deck: approx. 31 kg, Remote: approx. 80 kg
IP protection class	IP 56
Ambient temperature	-40°C to +45°C
Rotation / Tilt	Deck: 360° / -35° to +30°, Remote: 360° / -35° to +20°
Input voltage	230 V AC and 115 V AC at 50/60 Hz, 24 V DC
Wattage	max. 90 W
Range at 1lx	approx. 4,015 m
Luminous flux	approx. 14,230 lm
CCT (color)	6,500 K
Beam angle	1.5°; 3°; 5°; 8°
Lifetime Diode	>50,000 hrs.

Options

- Focus function
- Stabilization system
- Bus system
- Loudspeakers
- Camera
- Infrared-, Ultraviolet light
- Additional heating
- Morse function
- IP 67
- Increased range



Deck



Remote



VIRGO 250

With its tailor-made reflector technology the VIRGO 250 achieves ranges of up to 2,435 m. It stands out with its efficiency and flexible usability.

Available in deck (D), cabin (C), pedestal (P) and remote control (R) versions.

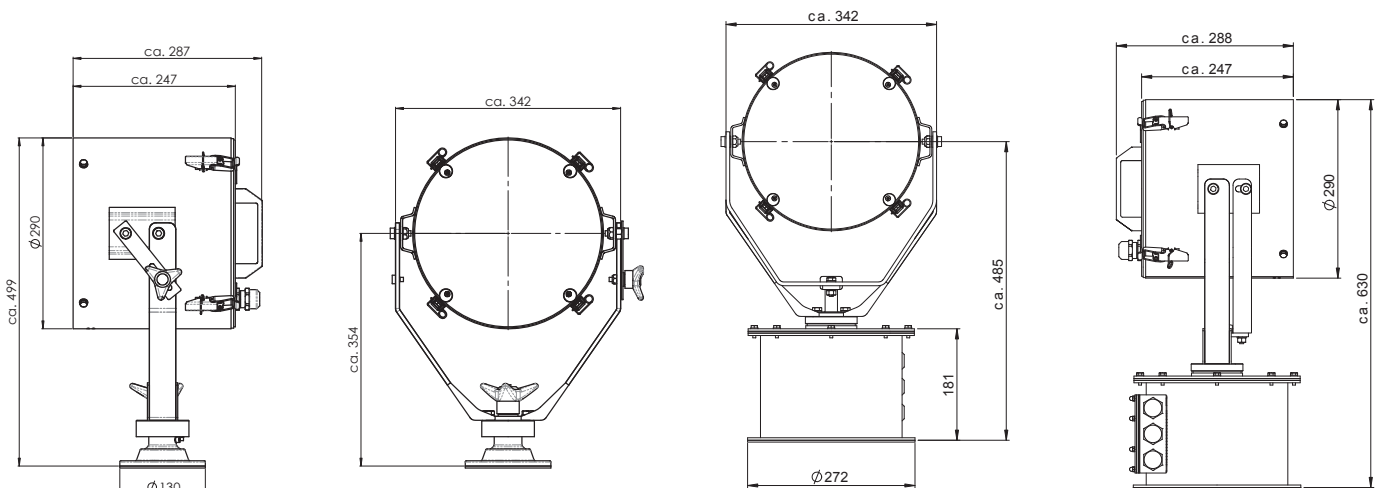
- + Certified according to DNV
- + Can be extended by many features
- + Low energy consumption

Technical Data

Material and color	Stainless steel powdercoated in RAL 9016, other colors on request
Weight	Deck: approx. 15 kg, Remote: approx. 34 kg
IP protection class	IP 56
Ambient temperature	-40°C to +45°C
Rotation / Tilt	Deck: 360° / -35° to +30°, Remote: 360° / -35° to +20°
Input voltage	230 V AC and 115 V AC at 50/60 Hz, 24 V DC
Wattage	max. 35 W
Range at 1lx	approx. 2,435 m
Luminous flux	approx. 5,245 lm
CCT (color)	6,500 K
Beam angle	1.5°; 3°; 5°; 8°
Lifetime Diode	>50,000 hrs.

Options

- Focus function
- Stabilization system
- Bus system
- Loudspeakers
- Camera
- Infrared-, Ultraviolet light
- Additional heating
- Morse function
- IP 67
- Increased range
- Mobile version



Deck

Remote

Searchlights

VIRGO 192



VIRGO 192

Due to its flat design, our VIRGO 192 is the optimal choice for areas with little space. The searchlight achieves ranges of up to 1,840 m and is available in a remote control (R) version.

- + Certified according to DNV
- + Particularly durable, thanks to high-quality materials such as stainless steel
- + Very suitable for narrow installation locations

Technical Data

Material and color	Stainless steel powdercoated in RAL 9016, other colors on request
Weight	approx. 10.6 kg
IP protection class	IP 56
Ambient temperature	-40°C to +45°C
Rotation / Tilt	Endless rotatable / -35° to + 20°
Input voltage	24 V DC and 12 V DC, 230 V AC and 115 V AC at 50/60 Hz on request
Wattage	max. 20 W
Range at 1lx	approx. 1,840 m
Luminous flux	approx. 750 lm
CCT (color)	6,500 K
Beam angle	1.5°; 3°; 5°; 8°
Lifetime Diode	>50,000 hrs.

Options

Bus system

Camera

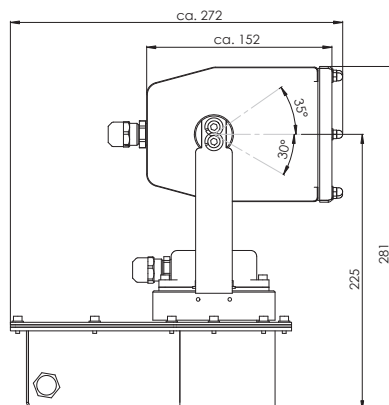
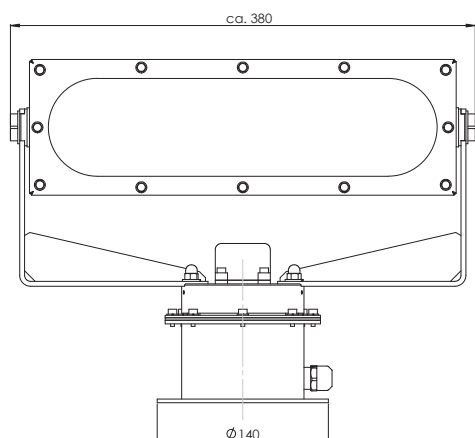
Infrared-, Ultraviolet light

Additional heating

Morse function

Extended range

IP 67



Remote



VIRGO 190

With its small design, our VIRGO 190 is particularly suitable for manual control. With the sophisticated mirror reflectors it achieves ranges of up to 1,600 meters.

Available in deck (D), cabin (C), pedestal (P) and remote control (R) versions.

- + Certified according to DNV
- + Particularly durable, thanks to high-quality materials such as stainless steel
- + Maximum range thanks to the KARL DOSE reflector technology

Technical Data

Material and color	Stainless steel powdercoated in RAL 9016, other colors on request
Weight	Deck: approx. 7 kg, Remote: approx. 26 kg
IP protection class	IP 56
Ambient temperature	-40°C to +45°C
Rotation / Tilt	Deck: 360° / -40 to +30°, Remote: 360° / -35° to +20°
Input voltage	230 V AC and 115 V AC at 50/60 Hz, 24 V DC, 12 V DC
Wattage	max. 15 W
Range at 1lx	approx. 1,600 m
Luminous flux	approx. 2,250 lm
CCT (color)	6,500 K
Beam angle	1.5°; 3°; 5°; 8°
Lifetime Diode	>50,000 hrs.

Options

Bus system

Camera

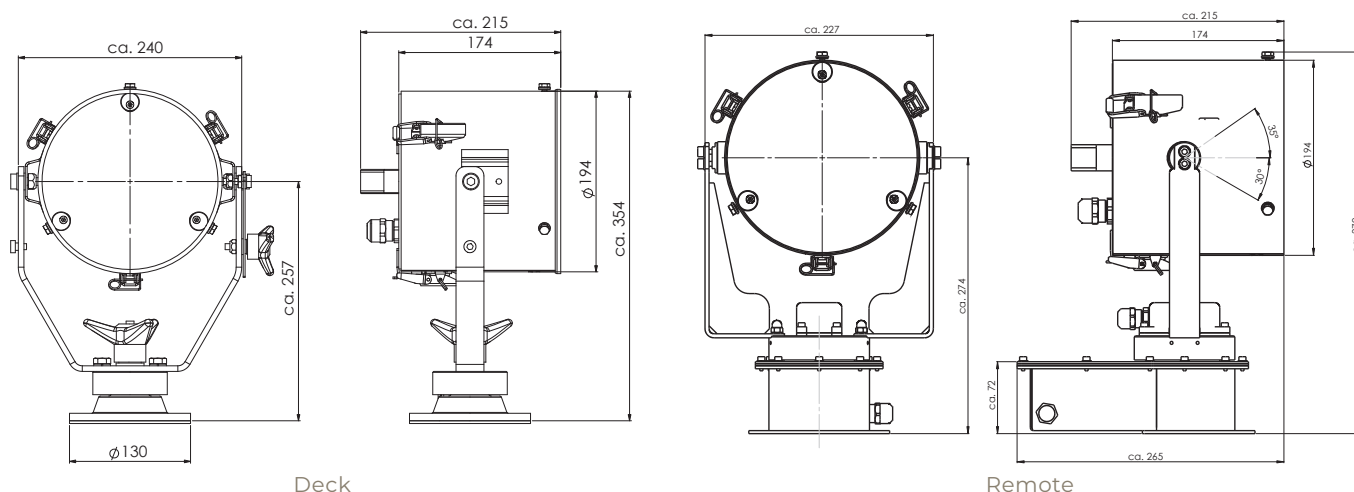
Infrared-, Ultraviolet light

Additional heating

Morse function

Extended range

Mobile version



Deck

Remote

Searchlights

VIRGO 188



VIRGO 188

With its attractive design, the smallest searchlight from KARL DOSE was constructed for yachts, tenders and speedboats.

Available in a remote control (R) version.

- + Certified according to DNV and RMRS
- + Particularly durable, thanks to high-quality materials such as stainless steel
- + Very suitable for narrow installation locations

Technical Data

Material and color	Stainless steel powdercoated in RAL 9016, other colors on request
Weight	approx. 6 kg
IP protection class	IP 56
Ambient temperature	-40°C to +45°C
Input voltage	2 V DC, 24 V DC, 230 V AC bei 50 Hz
Rotation / Tilt	Endless / -35° to + 20°
Wattage	max. 10 W
Range at 1lx	approx. 1,300 m
Luminous flux	approx. 1,500 lm
CCT (color)	6,500 K
Beam angle	1.5°; 3°; 5°; 8°
Lifetime Diode	>50,000 hrs.

Options

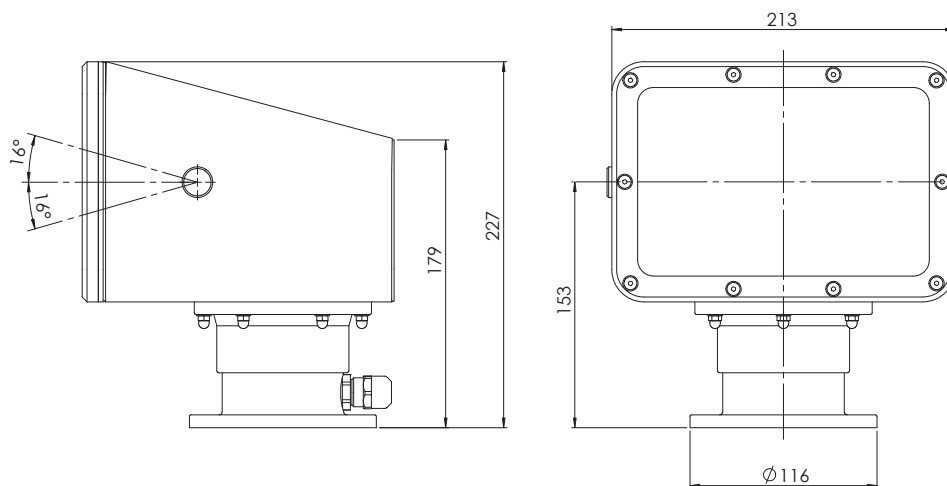
Bus System

Camera

Infrared-, Ultraviolet light

Morse function

Extended range



Remote



ATRIA 250

The ATRIA 250 is characterised by its seawater-resistant aluminium housing, which gives it a low weight without sacrificing reliability. Thanks to low-maintenance LED technology and robust design, it also impresses with its low energy consumption and an attractive price-performance ratio.

The ATRIA 250 is available in deck (D), cabin (C), pedestal (P) and remote control (R) versions.

- + Low maintenance thanks to LED technology
- + Low weight due to aluminum housing
- + **Coming soon: ATRIA 350 and 450**

Technical Data

Material and color	Seawater-resistant aluminum; powdercoated in RAL 9016, other colors on request
Weight	approx. 17.5 kg
IP protection class	IP 56
Ambient temperature	-25° up to +45°C
Input voltage	230 V AC, 115 V AC and 24 V DC on request
Wattage	max. 102 W
Rotation / Tilt	340° / -45° bis + 45°C
Range at 1lx	approx. 1,650 m
Luminous flux	approx. 9,070 lm
CCT (color)	6,500 K
Beam angle	3°; 10°
Lifetime Diode	>50,000 hrs.

Options

- Additional heating
- Morse function

Searchlights

CANIS 450 Xenon



CANIS 450 Xenon

As a xenon searchlight, our CANIS is one of the most powerful searchlights in the world. The high range and the blue component in the light make it the perfect companion for journeys in polar regions.

Available in the versions deck (D), cabin (C), pedestal (P) and remote control (R).

- + Certified according to DNV
- + Designed for polar regions
- + More than 16 km range

Technical Data

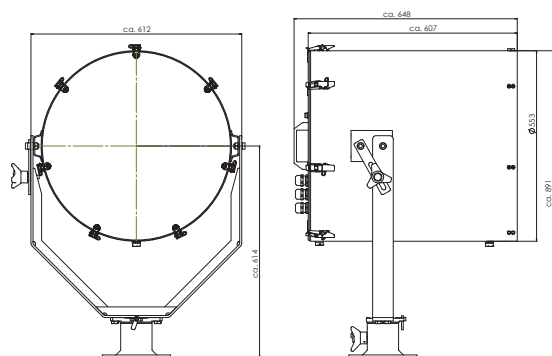
Material and color	Stainless steel powdercoated in RAL 9016, other colors on request
Weight	Deck: approx. 59 kg, Remote: approx. 159 kg
IP protection class	IP 56
Ambient temperature	-40°C to +45°C, -50°C on request
Rotation / Tilt	360° / -30° to +20°
Input voltage	230 V AC and 115 V AC at 50/60 Hz
Wattage	max. 1,000 W; 2,000 W; 3,000 W
Range at 1lx	up to 20,800 m
Luminous flux	up to 130,000 lm
CCT (color)	6,000 K
Beam angle	1° to 12° (focusable)
Lifetime lamp	> 2,000 hrs.

Options

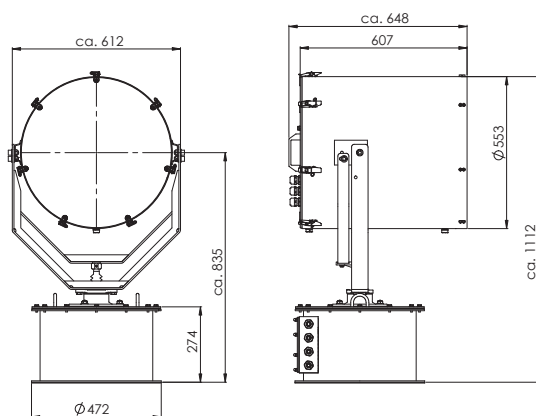
Bus system

Loudspeakers

Additional heating



Deck



Remote



CANIS 350 Xenon

The CANIS combines proven design with proven technology. It is corrosion-resistant, reliable, very powerful and suitable for smaller vessels.

Available in the versions deck (D), cabin (C), pedestal (P) and remote control (R).

- + Certified according to DNV
- + Also suitable as ice searchlight
- + Over 10 km range

Technical Data

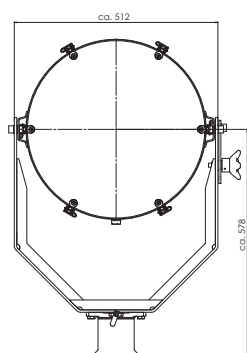
Material and color	Stainless steel powdercoated in RAL 9016, other colors on request
Weight	Deck: approx. 48 kg, Remote: approx. 137 kg
IP protection class	IP 56
Ambient temperature	-40°C to +45°C
Rotation / Tilt	360° / -30° to +20°
Input voltage	230 V AC and 115 V AC at 50/60 Hz
Wattage	max. 500 W; 1,000 W
Range at 1lx	up to 10,350 m
Luminous flux	up to 32,000 lm
CCT (color)	6,000 K
Beam angle	1° to 12° (focusable)
Lifetime lamp	>2,000 hrs.

Options

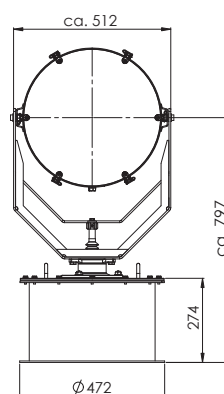
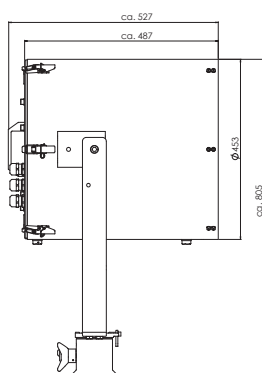
Bus system

Loudspeakers

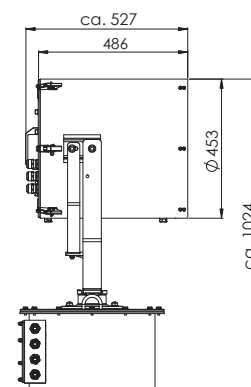
Additional heating



Deck



Remote



Searchlights

ORION SKS



ORION SKS

The ORION Suez Canal Searchlight has been specially designed to meet the requirements for crossing the Suez Canal. According to the Suez Canal specification, the searchlight is available in 2,000 W and 3,000 W versions.

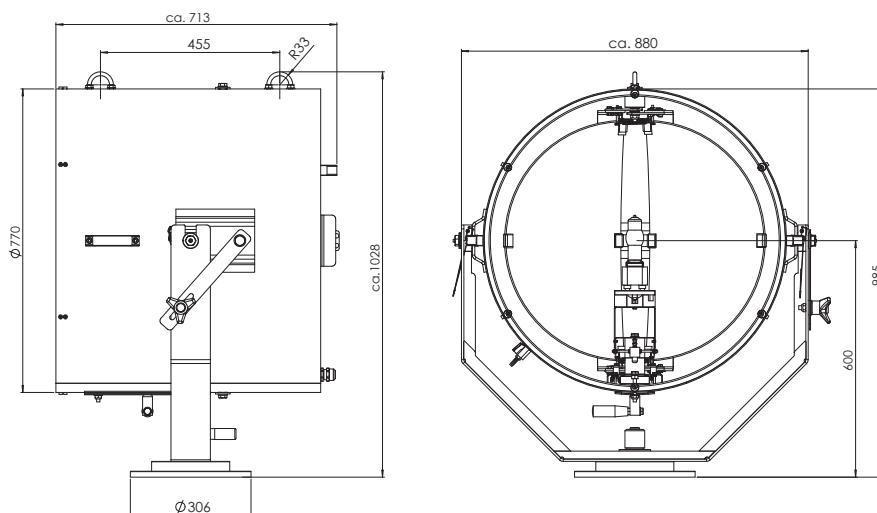
- + Mandatory for crossing the Suez Canal
- + Certified according to DNV
- + Proven technology

Technical Data

Material and color	Seawater resistant aluminum, powdercoated in RAL 9016, other colors on request
IP protection class	IP 56
Weight	53 kg
Input voltage	230 V AC and 115 V AC at 50/60 Hz
Wattage	max. 2,000 W for ships with <30,000 SC.G.T max. 3,000 W for ships with >30,000 SC.G.T
Authorization	DNV according to Suez Canal specification
Certificate No.	TAE00003VG revision 2
Approval documentation	BSH test report: 4615/4040549/07(2007-03-16) GL type test report 7670076283655(2007-05-11) Dwg. 2166610 rev.0, 2201034 rev.0, 2202067 rev.0, 2201080 rev.0, 2201082 rev.0

Option

Persenning/Cover



Deck



DRACO HSL

With the DRACO HSL LED, KARL DOSE is a pioneer since years with LED version of the signalling light in its product range for several years. Thanks to the sturdy case and the integrated battery, the signallight can be used anywhere and at any time.

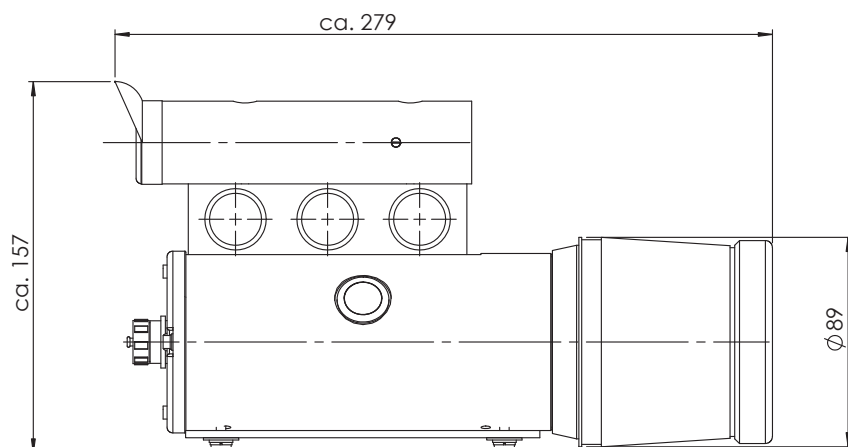
- + Integrated battery
- + According to BSH and DNV certified
- + Low weight

Technical Data

Material and color	Seawater resistant aluminum, powdercoated in RAL 9016
IP protection class	IP 56
Weight	Case: approx. 2 kg; signalling light: approx. 1.6 kg
Signaling	Electric groping
Sighting system	Sighting tube
Charger	230V AC, 12 DC at 1.5A
Battery	Lithium-ion with 3 cells each 4.2 V
Range at 2lx	180 m
Range during day	2 NM / 3.6 km
Luminous flux	300 lm
Luminous intensity	Min. 60,000 cd
Beam angle	2°
Authorization	BSH according to IMO Resolution MSC 95(72) IEC 60945 and ISO 25861, DNV / 0098 (MEDB0000352)

Options

- Filter discs
- Outdoor brackets
- Indoor brackets
- Other housing color



Searchlights

Discontinued products ANDROMEDA, DRACO HSL halogen

While technology is constantly evolving, regulations are also changing. As a result, tried-and-tested items have to give way from time to time, and conventional lighting must either be replaced or retrofitted in accordance with EU legislation. As long as stocks last, the old classics are still available. We are also happy to help with the conversion of existing lights to LED. Please feel free to contact us.



ANDROMEDA

ANDROMEDA 250, 350, 450 HALOGEN

Variants	Deck (D), cabin (C), pedestal (P), remote (R)
Material and color	Stainless steel powdered in RAL 9016, other colors on request
IP protection class	IP 56
Wattage	250 W to 3,000 W
Input voltage	230 V AC and 115 V AC at 50/60 Hz, 24 V DC
Range at 1lx	670 m to 2,760 m
Luminous flux	6,200 lm to 82,000 lm
CCT (color)	3,200 K

Options

Focus function

Morse function

Fire fighting (Fifi)



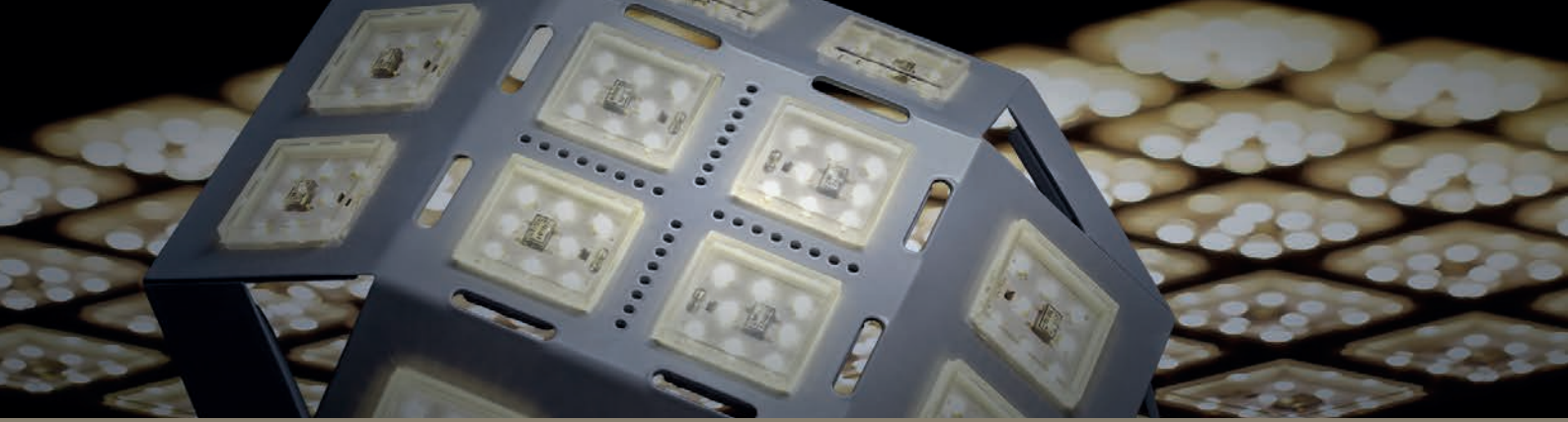
DRACO

DRAGO HALOGEN

Material and color	Seawater resistant aluminum, powdercoated in RAL 9016
IP protection class	IP 56
Range at 2lx	180 m
Range at daytime	2 NM / 3.6 km
Luminous intensity	Min. 60,000 cd
Authorization	BSH according to IMO Resolution MSC 95(72) IEC 60945 and ISO 25861, DNV / 0098 (MEDB0000352)



Ranges and luminous flux were measured or calculated under laboratory conditions.
The actual values depend on environmental factors such as rain or fog.



Floodlights

The powerful LED floodlights from KARL DOSE have been convincing for many years with best light values and up to 95% lower energy consumption compared to conventional floodlights. They allow an optimal illumination of large and small areas from different distances. Thanks to the selection of highest quality materials the LED floodlights are characterized by durability, reliability and design. With a strong variety in KARL DOSE's portfolio our customers can be sure to find the right floodlight for their requirements.





PHOENIX

The PHOENIX floodlight distinguishes itself with its special housing design, ensuring exceptional heat management. The combination of design, low weight and high light output is unique, making the PHOENIX a versatile all-rounder for various applications in the maritime sector.

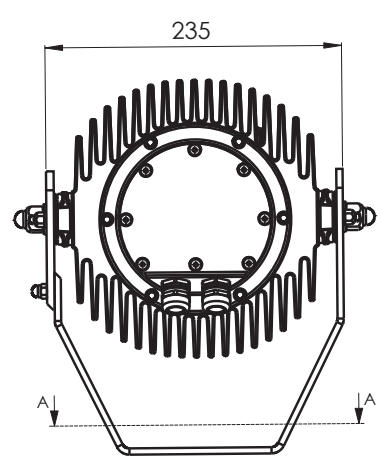
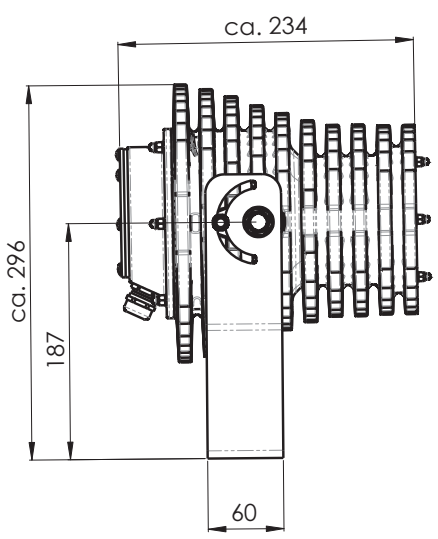
- + Excellent heat management
- + High lumen output despite a small housing
- + Low weights

Technical Data

Material and color	seawater resistant aluminum powder-coated in RAL 9016, other colors on request
IP protection class	IP66, IP 67
Weight	approx. 8 kg
Ambient temperature	-25° to +45°C
Input voltage	230 V AC and 115 V AC at 50/60 Hz, 24 V DC on request
Wattage	max. 80 W
Luminous flux	approx. 13,000 lm
CCT (color)	5,000 K
Color index CRI	>80
Beam angle	19°; 30°; 55°; 75°
Lifetime Diode	>50,000 hrs.

Options

- Other light colors
- Other CCT (colors)
- Colored filters
- Light intensity ex-factory



NEW

Floodlights

ARIES



Aries

The new ARIES floodlight family is a modular, expandable system. It is available in three versions with different beam angles and offers a luminous flux of up to 30,000 lm - for maximum flexibility and performance in any application.

- + Modular, expandable system
- + Very powerful with up to 30,000 lumen
- + Excellent heat management

Technical Data

Material and color	Seawater resistant aluminum powdercoated in RAL 9016
IP protection class	IP 66, IP 67
Environmental temperature	-25°C to +40°C
Input Voltage	230 V AC at 50 Hz, 24V DC on request
Luminous flux	up to 30,000 lm
CCT (color)	4,000; 5,000 K
Beam angle	30°, 60°, 90°, asymmetrical and wider angles on request

Options

- With cable
- Asymmetrical beam angles
- Other CCT (colors)
- With cable



ARIES 1

Luminous flux	approx. 10.000 lm
Wattage	max. 70 W
Weight	approx. 2,4 kg



ARIES 2

Luminous flux	approx. 20.000 lm
Wattage	max. 140 W
Weight	approx. 4,1 kg

NEW

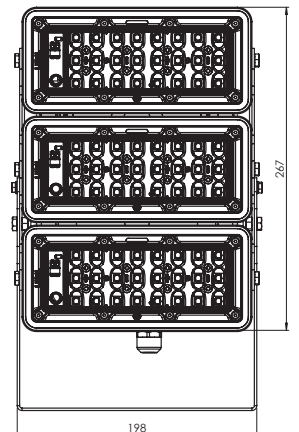
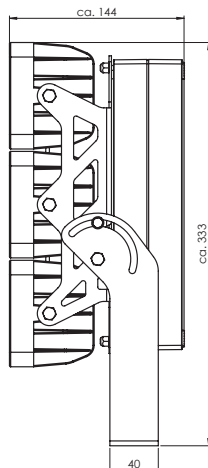
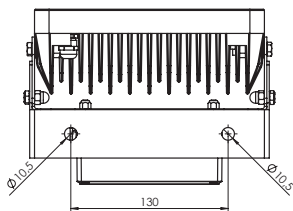
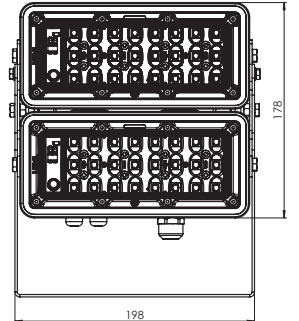
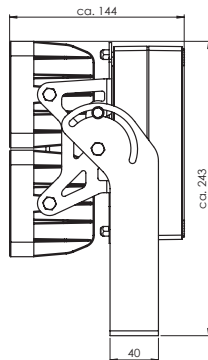
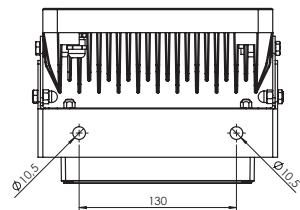
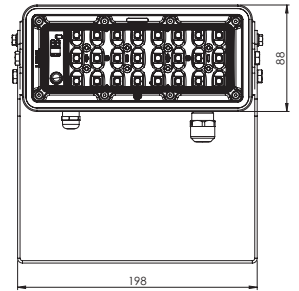
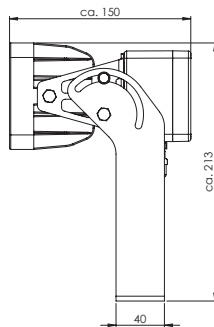
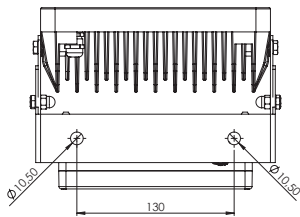
Floodlights

ARIES



ARIES 3

Luminous flux	approx. 30.000 lm
Wattage	max. 210 W
Weight	approx. 6 kg



UPGRADE

Floodlights

AURIGA 200



AURIGA 200

The AURIGA 200 is the best choice where space is limited but a lot of light is needed. High-quality LEDs and stainless steel housing ensure a long lifetime.

- + Classic design
- + High luminosity
- + Durable thanks to high-quality materials such as stainless steel

Technical Data

Material and color	Stainless steel powdercoated in RAL 9016, other colors on request
IP protection class	IP 66; IP 67
Weight	approx. 5.1 kg
Ambient temperature	-25°C to +40°C
Input voltage	230 V AC and 115 V AC at 50/60 Hz, 24 V DC
Wattage	max. 34 W
Luminous flux	approx. 6,000 lm
CCT (color)	6,500 K
Beam angle	10°; 28°; 62°
Lifetime Diode	>50,000 hrs.

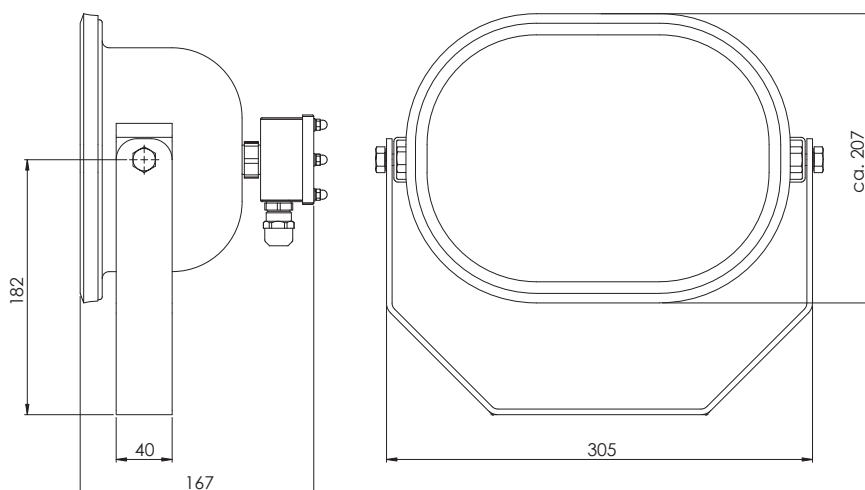
Options

Other light colors

With cable

Electropolished version

Swivel arm





AURIGA 1000

The AURIGA 1000 is a deck floodlight in a classic design. With its robust stainless steel housing and high-quality LEDs it can be used in any environment and defies all weather conditions.

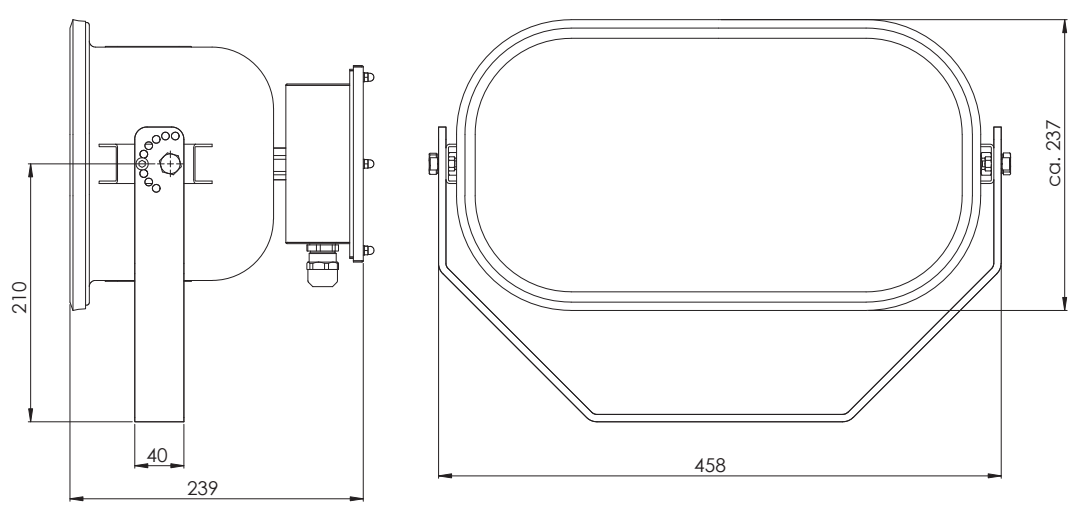
- + Classic design
- + Durable thanks to high-quality materials such as stainless steel
- + Identical mounting points compared to old HPS floodlights

Technical Data

Material and color	Stainless steel powdercoated in RAL 9016, other colors on request
IP protection class	IP 66; IP 67
Weight	approx. 11.6 kg
Ambient temperature	-25°C to +40°C
Input voltage	230 V AC and 115 V AC at 50/60 Hz, 24 V DC
Wattage	max. 65 W
Luminous flux	approx. 9,000 lm
CCT (color)	6,500 K
Beam angle	10°; 28°; 62°
Lifetime Diode	>50,000 hrs.

Options

- Other light colors
- With cable
- Electropolished version
- Swivel arm



UPGRADE

Floodlights

AURIGA 2000



AURIGA 2000

State-of-the-art LED technology in a classic design - this is what KARL DOSE's AURIGA product family stands for. Thanks to highest quality materials, the AURIGA lasts practically a lifetime.

- + Classic design
- + Robust construction
- + Identical mounting points compared to old HPS floodlights

Technical Data

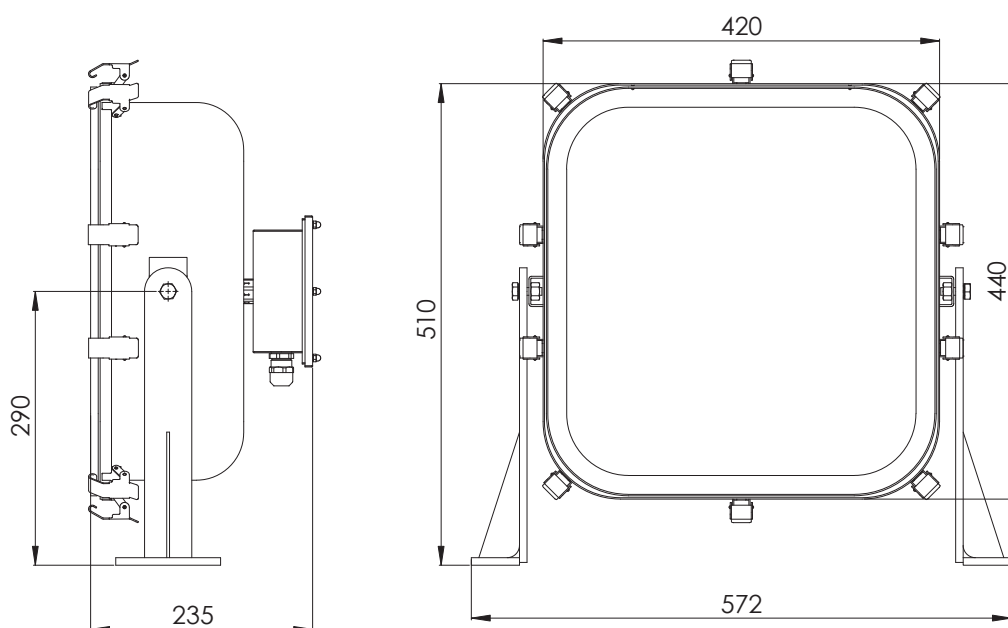
Material and color	Stainless steel powdercoated in RAL 9016, other colors on request
IP protection class	IP 66; IP 67
Weight	approx. 28.0 kg
Ambient temperature	-25°C to +40°C
Input voltage	230 V AC and 115 V AC at 50/60 Hz
Wattage	max. 130 W
Luminous flux	approx. 18,000 lm
CCT (color)	6,500 K
Beam angle	10°; 28°; 62°
Lifetime Diode	>50,000 hrs.

Options

Other light colors

With cable

Electropolished version





HERCULES 3

The powerful HERCULES 3 brings the light to the point. Due to the narrow beam angle, the floodlight manages to precisely illuminate distant areas.

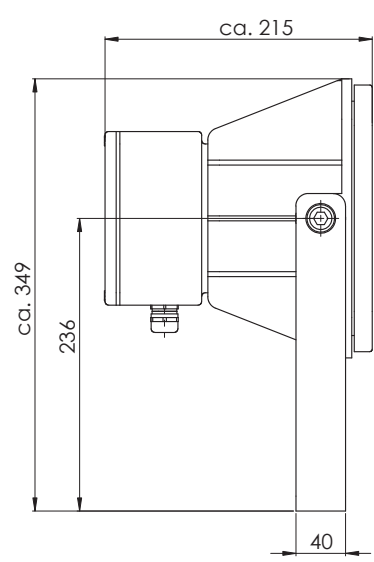
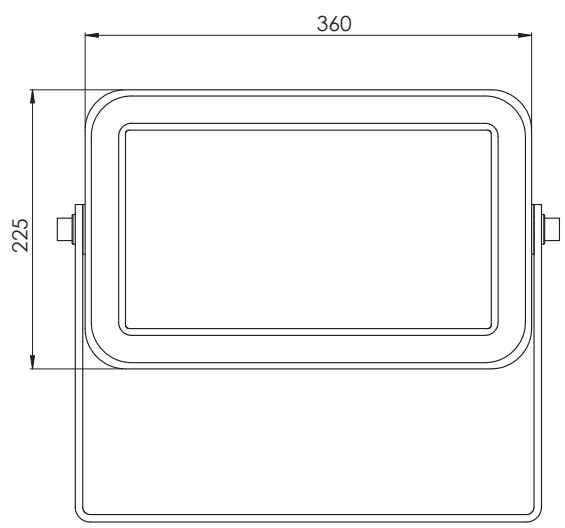
- + High luminosity due to high power LEDs
- + Resistant to seawater
- + Very robust housing

Technical Data

Material and color	Housing: seawater resistant aluminum powdercoated in RAL 9016, other colors on request; Brackets: stainless steel
IP protection class	IP 66; IP 67
Weight	approx. 11.7 kg
Ambient temperature	-40°C to +40°C
Input voltage	230 V AC and 115 V AC at 50/60 Hz, 220 V DC
Wattage	max. 125 W
Luminous flux	approx. 22,800 lm
CCT (color)	5,700 K
Beam angle	32°
Lifetime Diode	>50,000 hrs.

Options

- With cable
- Other housing colors



UPGRADE

Floodlights

HERCULES 4



HERCULES 4

The HERCULES family enjoys great popularity for crane arms due to its robustness. The HERCULES 4 effortlessly achieves approx. 27,000 lm is particularly suitable as an area floodlight.

- + High luminosity due to high power LEDs
- + Resistant to seawater
- + Very robust housing

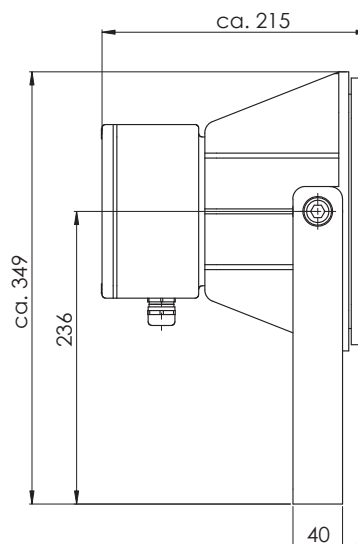
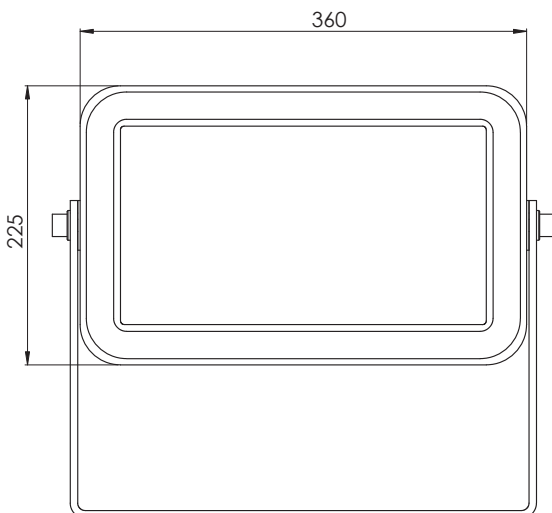
Technical Data

Material and color	Housing: seawater resistant aluminum powdercoated in RAL 9016, other colors on request; Brackets: stainless steel
IP protection class	IP 66; IP 67
Weight	approx. 11.7 kg
Ambient temperature	-40°C to +40°C
Input voltage	230 V AC and 115 V AC at 50/60 Hz, 220 V DC
Wattage	max. 140 W
Luminous flux	approx. 26,900 lm
CCT (color)	5,700 K
Beam angle	120°
Lifetime Diode	>50,000 hrs.

Options

With cable

Other housing colors





COLUMBA

When looking for a spotlight, you come across the COLUMBA. Due to its sophisticated design, the heat is conducted particularly well and allows the spotlight to last a long time.

- + Excellent heat management
- + Very suitable as spotlight for gangways
- + Different mounting options

Technical Data

Material and color	seawater resistant aluminum powdercoated in RAL 9016, other colors on request
IP protection class	IP 56
Weight	approx. 6 kg
Ambient temperature	-40° C to +40° C
Input voltage	230 V AC and 115 V AC at 50/60 Hz, 24 V DC
Wattage	45 W
Luminous flux	5,415 lm
CCT (color)	6,300 K
Beam angle	10°; 28°; 62°
Lifetime Diode	>50,000 hrs.

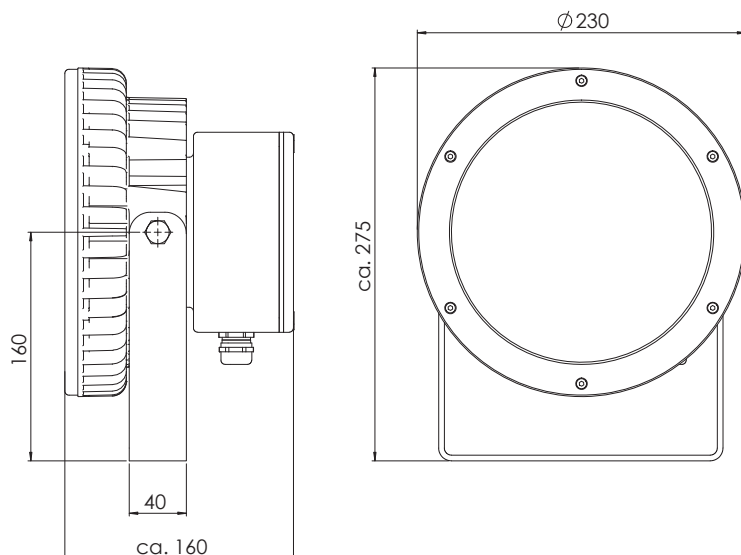
Options

Wall bracket

Swivel arm

With cable

Quick locking system



Interior and exterior lighting

Ships and other sectors in the maritime environment require a variety of different luminaires. In the upcoming chapter you will find our portfolio of indoor and outdoor luminaires such as wall and ceiling luminaires, linear luminaires, mobile work luminaires and underwater lights.

We offer our lights with energy-saving LED technology. All luminaires are also available with conventional light sources - as long as the stock lasts and the legal requirements allow it.



Linear luminaire

NAOS



NAOS

Linear luminaires have proven themselves over many years and are a good choice for in- and outdoor areas that require a lot of light.

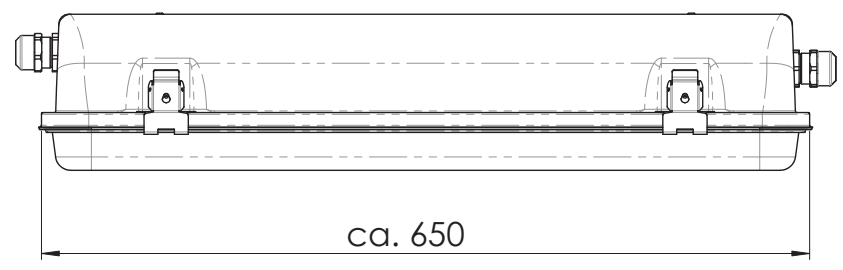
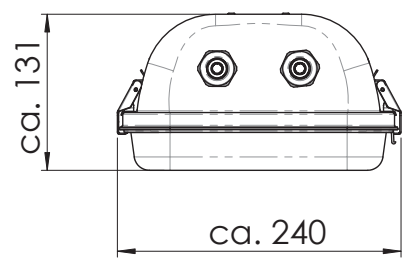
- + Corrosion resistant stainless steel housing
- + Versatile use
- + Uniform mounting points

Technical Data

Material	Housing and clips: Stainless steel (blank); cover: Polycarbonate (clear)
IP protection class	IP 66
Weight	approx. 3.5 kg
Ambient temperature	-40°C to +40°C
Mounting points	350 mm
Input voltage	230 V AC and 115 V AC at 50/60 Hz, 24 V DC
Wattage	24 W
Luminous flux	approx. 4,000 lm
CCT (color)	4,000 K
Beam angle	120°
Lifetime Diode	>50,000 hrs.

Optionen

- Emergency light
- Through-wiring
- With cable
- Other CCT (colors)



Linear luminaire

NAOS LF218 NEO / LF236 NEO



NAOS NEO

Our NAOS NEO linear luminaire replaces the conventional types 2x18 W and 2x36 W. It is suitable for indoor and outdoor areas.

- + Low weight
- + Replacement for 2x 18 W and 2x 36 W
- + Robust construction IK 10

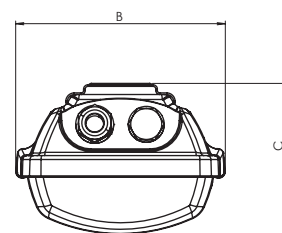
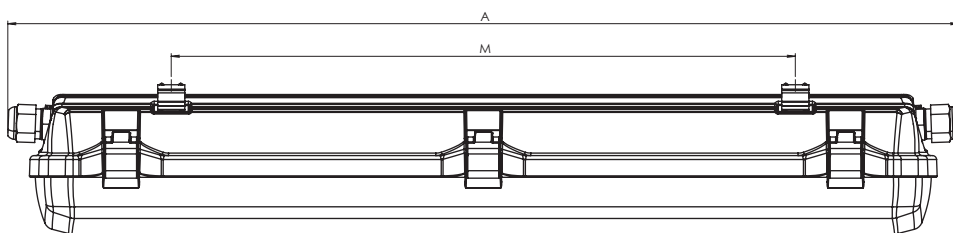
Technical Data

Material and color	Housing: Polycarbonate and ABS (RAL 7035), Cover: Polycarbonate (opal), Mounting clips: stainless steel
IP protection class	IP 66
Ambient temperature	-20°C to +50°C
Input voltage	230 V AC 50 Hz; 230 V DC, 24 V DC
CCT (color)	3,000 K, 4,000 K, 6,000 K
Color index CRI	>80
Beam angle	120°
Lifetime Diode	>70,000 hrs.

Options

- Dimming function (Dali, DSI, 1-10 V)
- Emergency power supply (stand-by circuit)
- Emergency power supply (continuous lighting)
- Through wiring
- With cable

	NAOS LF 218 NEO LED	NAOS LF 236 NEO LED
Weight	approx. 1.4 kg	approx. 2.3 kg
Wattage	max. 16 W	max. 32 W
Luminous flux	approx. 2,200 lm	approx. 4,500 lm
Replacement for	2x18 W	2x36 W
Dimensions	A104xB155xC670 (mm)	A104xB155xC1,280 (mm)
Fixing points M	460 mm	880 mm



Linear luminaire

SERPENS



SERPENS

With its round design, this linear luminaire can be used universally e.g. at ceilings, walls or rails. An advantageous beam angle of 120°, which ensures optimum illumination results.

- + Homogeneous light distribution
- + Simple assembly thanks to mounting clamps
- + Variable mounting points

Technical Data

Material and color	Tube: Polycarbonate (diffuse), Caps: Polycarbonate (black), Mounting clamps: stainless steel
IP protection class	IP 66, IP 67 and IP 68 (up to 2.5 bar = 25 m)
Ambient temperature	-25°C to +45°C
Input voltage	230V AC and 115 V AC at 50/60 Hz, 24 V DC
CCT (color)	4,000 K
Color index CRI	>80
Beam angle	120°
Lifetime Diode	>50,000 hrs.

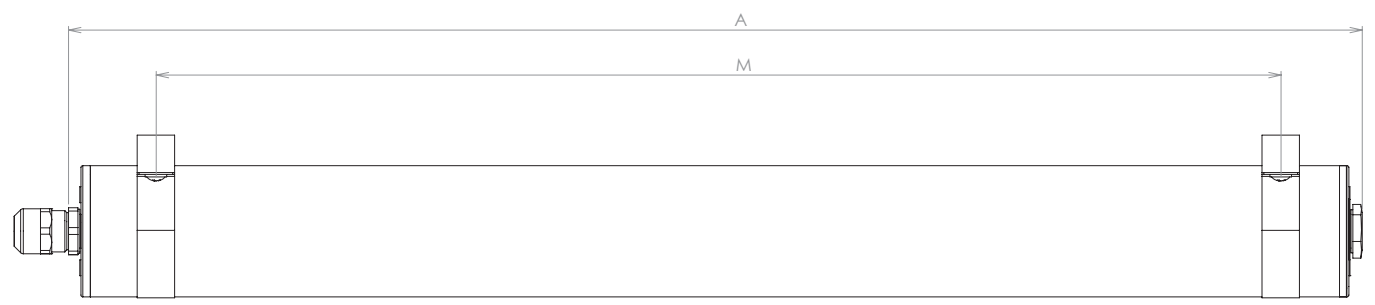
Options

- Clear tube
- Through-wiring
- Other CCT (colors)
- With cable
- Up to 50 m depth

SERPENS 60 LED

SERPENS 120 LED

Weight	approx. 1.3 kg	approx. 2.1 kg
Wattage	max. 28 W	max. 65 W
Luminous flux	3,500 lm, 2,500 lm	7,000 lm, 5,500 lm
Dimensions	A730xØ90 (mm)	L1,310xDDØ90 (mm)
Fixing points M	Variable	Variable



Underwater light

HYDRA UL 120



HYDRA UL 120

The HYDRA UL LED underwater luminaire can be mounted on ceilings, walls or pillars. We offer the highest IP protection class for permanent use under water: IP 68.

- + 100% waterproof
- + Suitable for use in drinking water environments
- + Can be used above and under water

Technical Data

Material and color	Tube: PMMA (opalic); Caps: PMMA (white); clamps: stainless steel
IP protection class	IP 68 (2 bar = 20 m)
Ambient temperature	-30°C to +30°C
Input voltage	230 V A at 50 Hz C, 24 V DC
CCT (color)	4,000 K
Color index CRI	>80
Beam angle	120°
Lifetime Diode	>50,000 hrs.
Fixing points M	Variable

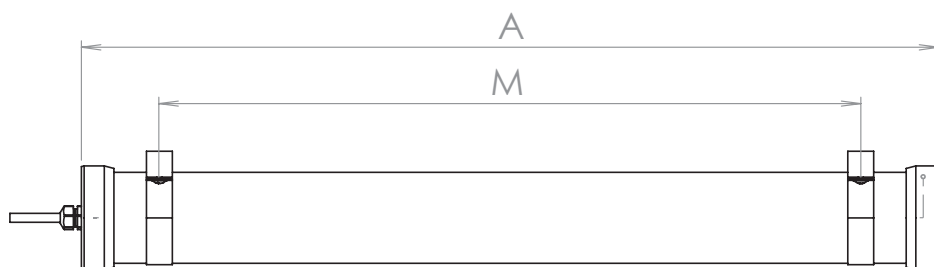
Options

Diveable up to 50 m depth

HYDRA 60 LED

HYDRA 120 LED

Weight	approx. 1.4 kg	approx. 2.6 kg
Wattage	max. 24 W	max. 48 W
Luminous flux	approx. 3,800 lm	approx. 7,500 lm
Dimensions	A730xØ80 (mm)	A1240xØ80 (mm)





HYDRA TL
underwater light

The almost two-meter-long submersible light with a 360° beam angle is ideal for illuminating shafts or wells from all sides. It is suspended in the water and maintains its vertical alignment in the water thanks to a weight at the bottom of the tube.

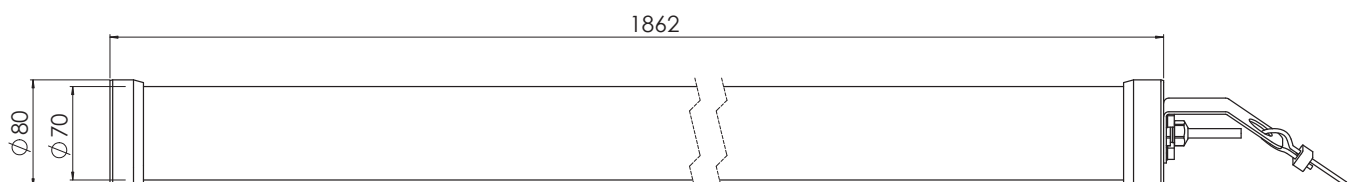
- + 100% waterproof
- + Mobile deployability
- + Can be used at depths of up to 20 m

Technical Data

Material and color	Tube: Polycarbonate (clear); Caps: Polycarbonate (white); clamps: stainless steel
IP protection class	IP 68 (to 2 bar = 20 m)
Weight	approx. 8.2 kg
Ambient temperature	-30°C to +30°C
Input voltage	230 V AC at 50 Hz, 24 V on request
CCT (color)	4,000 K
Wattage	max. 110 W
Luminous flux	approx. 17,600 lm
Beam angle	360°
Lifetime Diode	>50,000 hrs.

Options

Diveable up to 50 m depth



Ceiling light

HEKA



HEKA

The most popular of our brass lights HEKA is used in many ways. Known as standard light it is installed on board on upper decks, in stores or engine rooms.

- + Robust design thanks to brass housing and impact-resistant polycarbonate cover
- + No ballast necessary
- + Conversion of existing luminaires with LED replacement kit

Technical Data

Material and color	Brass housing with diffuse polycarbonate cover
IP protection class	IP 56
Weight	approx. 0.7 kg
Ambient temperature	-40°C to +45°C
Input voltage	230 V AC and 115 V AC at 50/60 Hz, 24 V DC
Wattage	max. 8 W
Luminous flux	approx. 800 lm
Color index CRI	>85
Beam angle	120°
Lifetime Diode	>50,000 hrs.

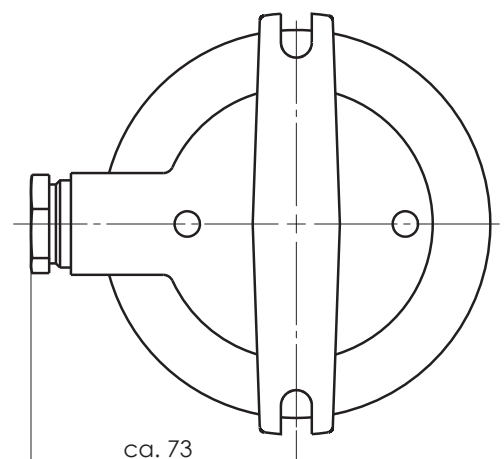
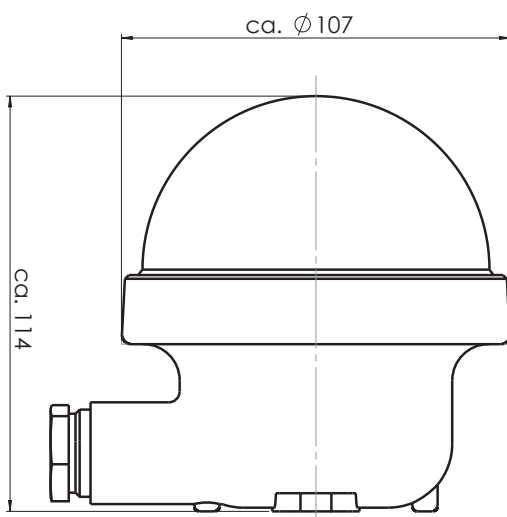
Options

LED replacement kit

Other CCT (colors)

Also available as
conventional version

IP 67





MINOR

Our small light MINOR can be used anywhere where there is little space but light is necessary. The IP 56 protection class makes it versatile in use.

- + Robust construction due to brass housing
- + Impact-resistant glass cover
- + Conversion of existing luminaires with LED replacement kit

Technical Data

Material and color	Brass housing with diffuse glass cover
IP protection class	IP 56
Weight	approx. 0.7 kg
Ambient temperature	-40°C to +45°C
Input voltage	230 V AC and 115 V AC at 50/60 Hz, 24 V DC
Wattage	max. 4.5 W
Luminous flux	approx. 400 lm
Beam angle	120°
Lifetime Diode	>50,000 hrs.

Options

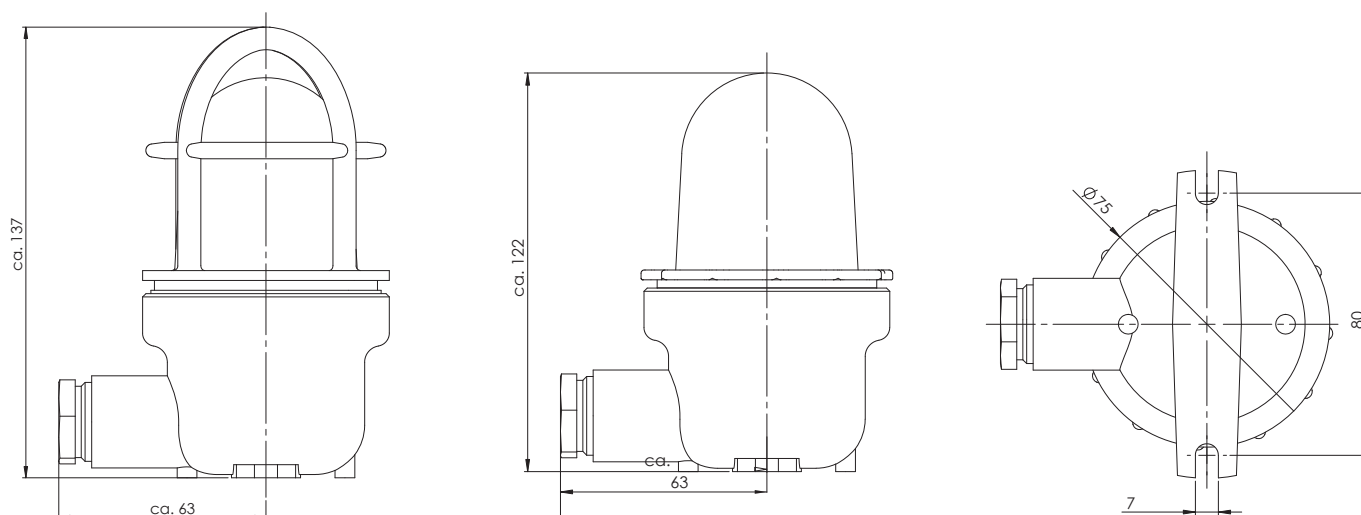
LED replacement kit

Other CCT (colors)

Also available as
conventional version

Protective Grid

IP 67



Ceiling light

PEGASUS



PEGASUS

The flat ceiling light PEGASUS has been in use on ships for decades. Now we have incorporated LED technology - tradition meets modernity.

- + Robust design: Brass housing and grid
- + Space-saving due to flat design
- + Conversion of existing luminaires with LED replacement kit

Technical Data

Material and color	Brass housing with clear glass cover
IP protection class	IP 56
Weight	approx. 4.6 kg
Ambient temperature	-25° to +45° C
Input voltage	230 V AC and 115 V AC at 50/60 Hz, 24 V DC
Wattage	max. 17 W
Luminous flux	approx. 1,100 lm
Beam angle	140°
Lifetime Diode	>50,000 hrs.

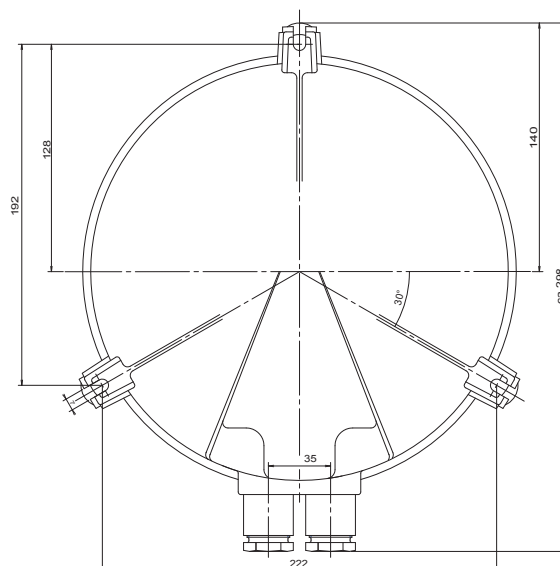
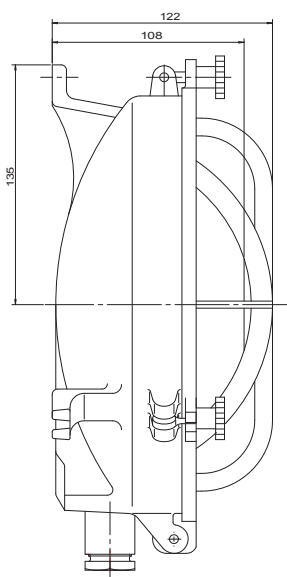
Options

LED replacement kit

Other CCT (colors)

Also available as
conventional version

Higher luminous flux





AQUILA

Also known as dutch light our AQUILA is a classic among the wall-mounted luminaires. In addition to its high quality and its maritime charm it impresses with optimal light distribution.

- + Robust design thanks to brass housing
- + Optimal light distribution thanks to specially developed cover
- + Impact-resistant polycarbonate cover

Technical Data

Material	Brass housing with diffuse polycarbonate cover
IP protection class	IP 56
Weight	approx. 1.3 kg
Ambient temperature	-25°C to + 45°C
Input voltage	230 V AC and 115 V AC at 50/60 Hz, 24 V DC
Wattage	max. 8 W
Luminous flux	approx. 800 lm
Beam angle	120°
Lifetime Diode	>50,000 hrs.

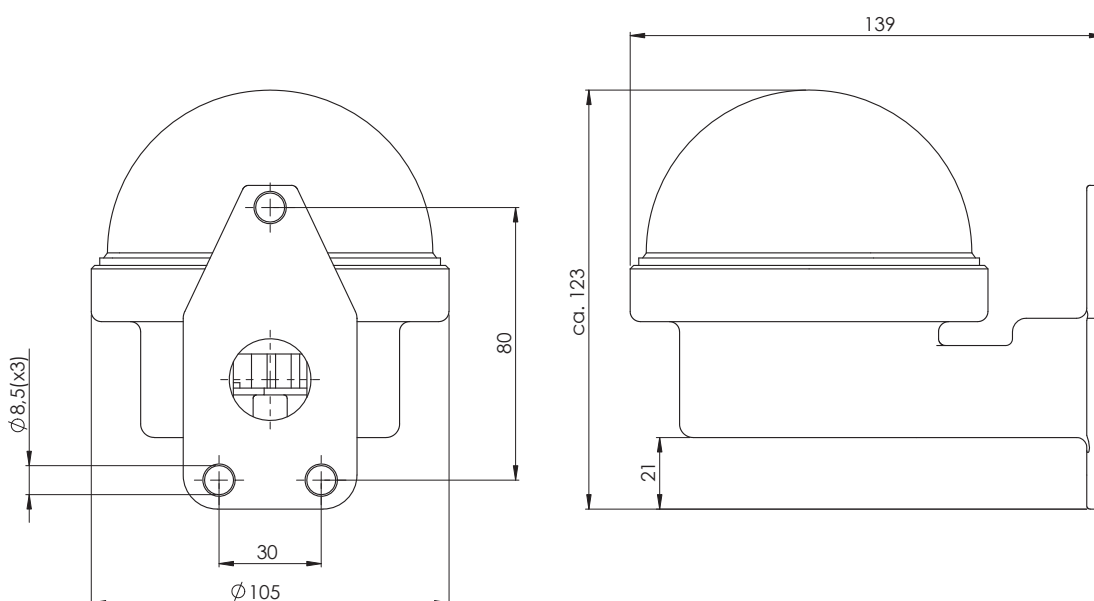
Options

LED replacement kit

Other CCT (colors)

Also available as conventional version

IP 67



Flashlight

GEMINI

Our high-quality flashlight GEMINI is used as an alarm and warning light. It is often used on governmental vessels or ships from rescue services and aid organizations.

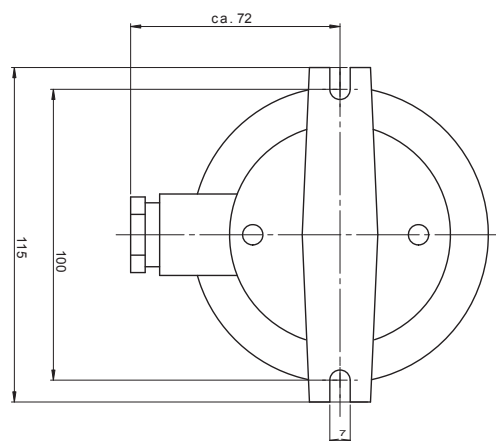
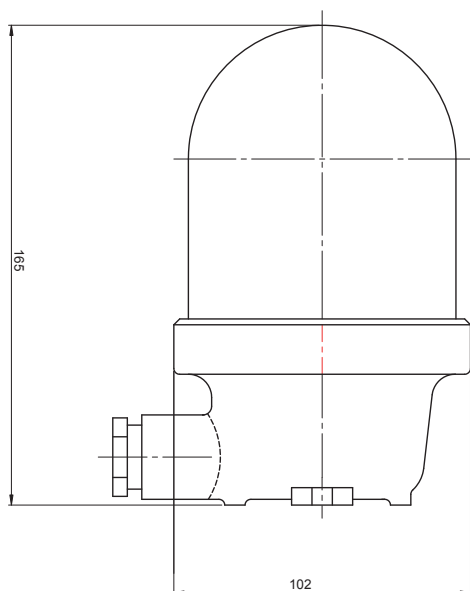


GEMINI

- + Robust construction thanks to brass housing
- + Reliable in safety-relevant locations
- + Strong flash power thanks to high quality flash insert
- + Flash insert replaceable

Technical Data

Material and color	Brass housing with red polycarbonate structured globe
IP protection class	IP 56
Weight	approx. 1 kg
Ambient temperature	-25°C to +45°C
Input voltage	230 V AC and 110 V AC at 50/60 Hz, 24 V DC
Flash energy	10 Joule
Frequency	60 flashes/min
Lifetime	After 8,000,000 flashes still 85% light intensity
Dimensions	H165xB115xT121 (mm)



Degree of Protection Against Solid Foreign Objects

First Code Number	Definition	Summary
0	-	Non-protected
1	The object probe, sphere of 50mm \varnothing , shall not fully penetrate	Protected against solid foreign objects of 50mm \varnothing and greater
2	The object probe, sphere of 12,5mm \varnothing , shall not fully penetrate	Protected against solid foreign objects of 12,5mm \varnothing and greater
3	The object probe of 2,5mm \varnothing shall not penetrate at all	Protected against solid foreign objects of 2,5mm \varnothing and greater
4	The object probe of 1,0mm \varnothing shall not penetrate at all	Protected against solid foreign objects of 1,0mm \varnothing and greater
5	Ingress of dust is not totally prevented, but dust shall not penetrate in a quantity to interfere with satisfactory operation of the apparatus or to impair safety	Dust-protected
6	No ingress of dust	Dust-tight

Degree of Protection Against Water

Second Code Number	Definition	Summary
0	-	Non-protected
1	Vertically falling drops shall have no harmful effects	Protected against vertically falling water drops
2	Vertically falling drops shall have no harmful effects when the enclosure is tilted at any angle up to 15° on either side of the vertical	Protected against vertically falling water drops when enclosure tilted up to 15°
3	Water sprayed at an angle up to 60° on either side of the vertical shall have no harmful effects	Protected against spraying water
4	Water splashed against the enclosure from any direction shall have no harmful effects	Protected against splashing water
5	Water projected in jets against the enclosure from any direction shall have no harmful effects	Protected against water jets
6	Water projected in powerful jets against the enclosure from any direction shall have no harmful effects	Protected against powerful water jets
7	Ingress of water in quantities causing harmful effects shall not be possible when the enclosure is temporarily immersed in water under standardized conditions of pressure and time	Protected against the effects of temporary immersion in water
8	Ingress of water in quantities causing harmful effects shall not be possible when the enclosure is continuously immersed in water under conditions which shall be agreed between manufacturer and user but which are more severe than for numeral 7	Protected against the effects of continuous immersion in water

example IP 54

first code number 5 = dust-protected
second code number 4 = protected against splashing water

Attention: code citation without engagement