



Container sockets

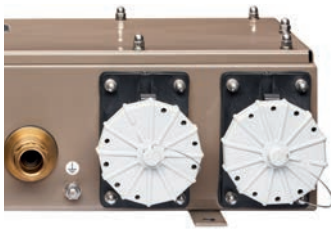
Multigang sockets.	162
CEE sockets.	168



Multigang sockets

Our container sockets are all „Made in Germany“ and offer maximum safety thanks to protection class IP 67. They can be found on a large number of container ships around the globe and are mainly used to supply reefer containers on board. Our multigang sockets in particular have a long tradition at KARL DOSE and, with the latest generation SNAPPY SPEED+, they are more compact, lightweight and user-friendly than ever before.





SNAPPY SPEED+

Our latest development SNAPPY SPEED+ features an uncomplicated securing of the plug. The use of seawater resistant materials guarantees highest reliability.

- + Indicator LED
- + High degree of variability (1-12 gangs)
- + Automated switching process (on/off)

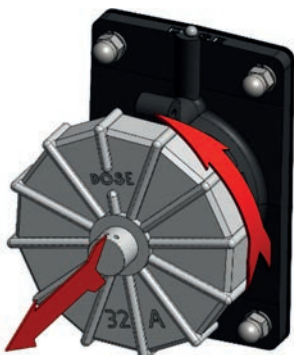
Technical Data

Material and color	Housing made of powdercoated stainless steel (RAL 7006), flange and protective cap made of glass-fibre reinforced plastic
IP protection class	IP 67
Weight	5.7 kg to 32.5 kg
Environmental temperature	-25°C to +45°C
Input voltage	360 V AC to 460 V AC at 50 Hz, 400 V AC to 500 V AC at 60 Hz
Current	32 A
Connectors	3-pole + PE, up to max. 500 V AC 32 A, acc. to ISO1496-2:2018
Circuit breaker	10 kA; 25 kA; 32 kA
Certificate	DNV Class Guideline DNVGL-CG-0339

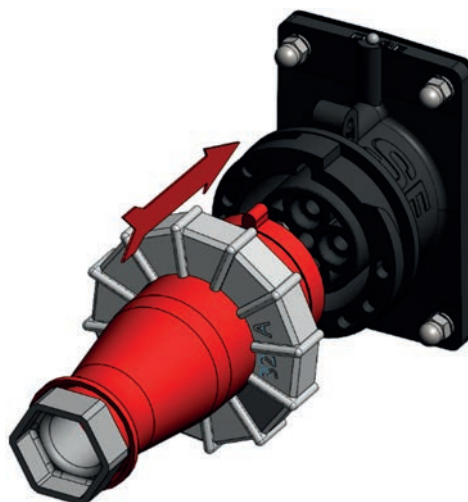
Options

- RAL color acc. to customer request
- Through-wiring
- Positioning of the cable gland acc. to customer request
- Cable gland shielded or unshielded in all common sizes

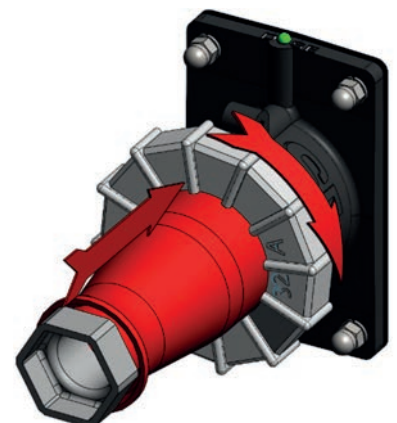
SNAPPY SPEED+ Technology



1. Unplug bayonet cap



2. plug in



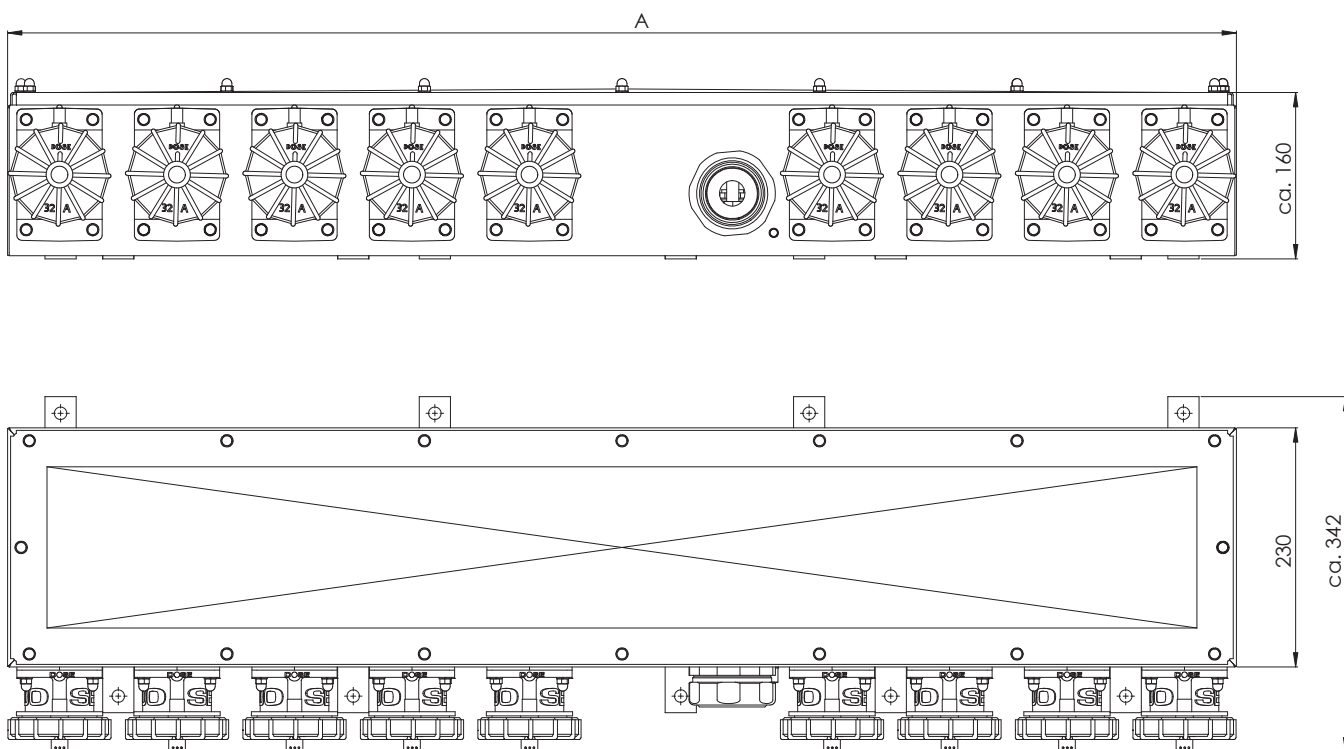
3. lock bayonet
(LED lights up green)

Multigang-Sockets

SNAPPY SPEED+

Variants*	A	Gangs	Cableglands
CSS321K	234 mm	1	1
CSS322K	265 mm	2	1
CSS323K	352 mm	3	1
CSS324K	466 mm	4	1
CSS325K	580 mm	5	1
CSS326K	769 mm	6	1
CSS327K	882 mm	7	1
CSS328K	995 mm	8	1
CSS329K	1182 mm	9	1
CSS323KD	500 mm	3	2
CSS324KD	613 mm	4	2
CSS325KD	726 mm	5	2

More gangs on request. All container socket sizes also available as through-wiring.





TWINNY

Our portable capacity extension for reefer containers. All versions are characterized by an extraordinarily high degree of flexibility and seawater resistance.

- + Lightweight and portable
- + Reliable snap-in technology
- + No arcing thanks to „inside security mode“

Technical Data

IP protection class	IP 67
Environmental temperature	-25°C to +45°C
Input voltage	360 V AC to 460 V AC at 50 Hz, 400 V AC to 500 V AC at 60 Hz
Connectors	3-pole + PE, up to max. 500 V AC 32 A, acc. to ISO1496-2:2018
Circuit breaker	10 kA, 25 kA
Certificate	DNV Class Guideline DNVGL-CG-0339
Dimensions	max. H273xW242xD197.5 (mm)

Optionen

- With LED indicator
- With cable and plug
- RAL color acc. to customer requirements

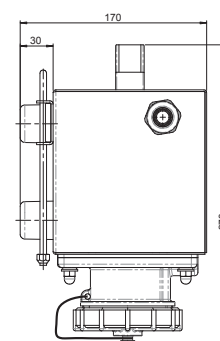
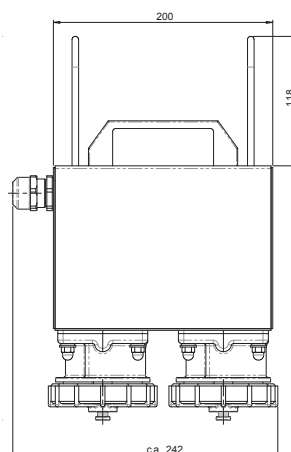
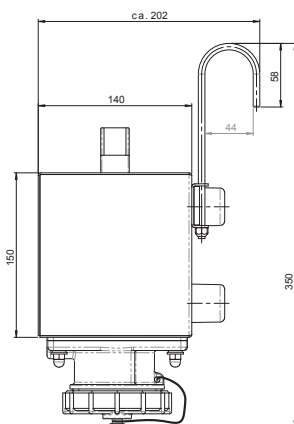
TWINNY

Basic

Pro

Power Selector

Material and colour	Powdercoated stainless steel and plastic	Powdercoated stainless steel and plastic	Powdercoated stainless steel and plastic
Current	32 A	32 A	2 x 20 A
Weight	approx. 6 kg	approx. 6,7 kg	approx. 6,7 kg
Attachment	Permanently mounted	With 2 hangers	With 2 hangers
Additive	With anti-slip mat		With selectivity



Multigang sockets

POWER TOWER



POWER TOWER 6

If a high level of capacity has to be guaranteed, our POWER TOWER is an excellent alternative. Despite the space-saving design, up to ten reefer containers can be integrated.

- + Inclined sockets for simplified plugging
- + Expansion with additional gangs possible
- + Gangs on two sides

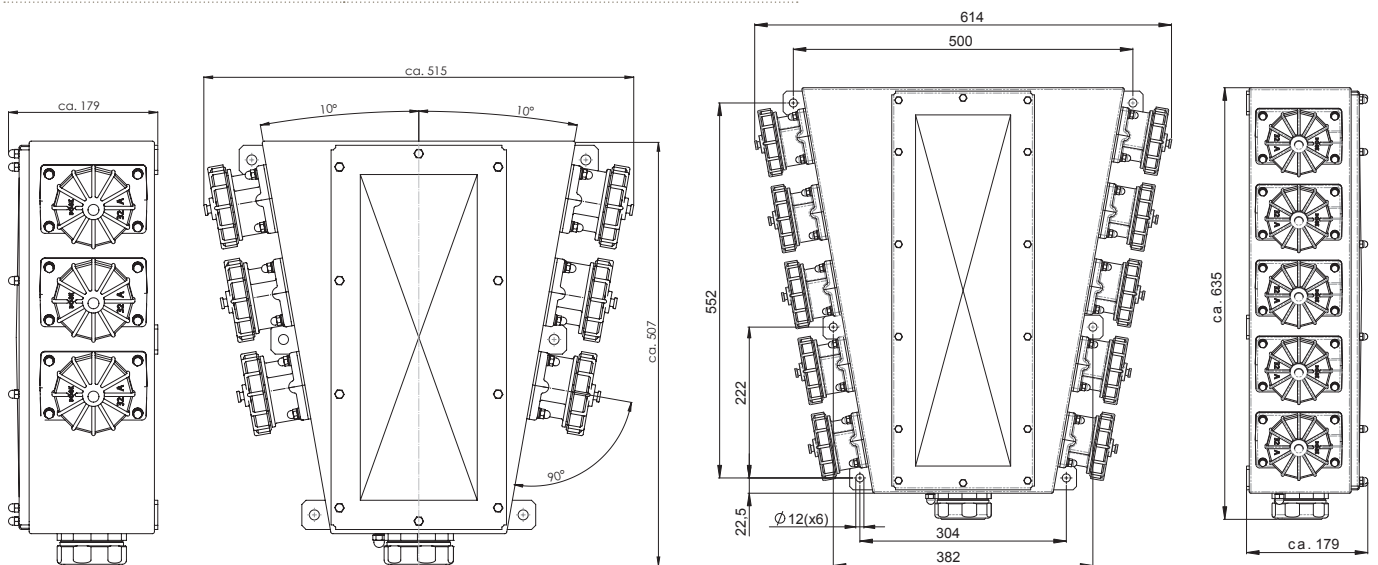
Technical Data

Gangs	1 to 10
Material and color	Housing made of powdercoated stainless steel (RAL 7006), flange and protective cap made of glass-fibre reinforced plastic
IP protection class	IP 67
Weight	5.7 kg to 32.5 kg
Environmental temperature	-25°C to +45°C
Input voltage	360 V AC to 460 V AC at 50 Hz, 400 V AC to 500 V AC at 60 Hz
Current	32 A, 25 kA, 32 kA
Circuit breaker	10 kA
Connectors	3-pole + PE, up to max. 500 V AC 32 A, acc. to ISO1496-2:2018
Certificate	DNV Class Guideline DNVGL-CG-0339
Dimensions	max. H508xW460xD180 (mm)

Optionen

RAL color acc. to customer requirements

With LED indicator



POWER TOWER 6

POWER TOWER 10

Multigang sockets

POWER PANEL



POWER PANEL 96

The solution for additional power supply capacity. Our POWER PANEL can incorporate up to 96 gangs to reliably supply reefer containers even during seasonal peaks.

- + Efficient upgrade for additional capacity
- + Ergonomic plugging (10° angle)
- + Supply when space on board is limited

Technical Data

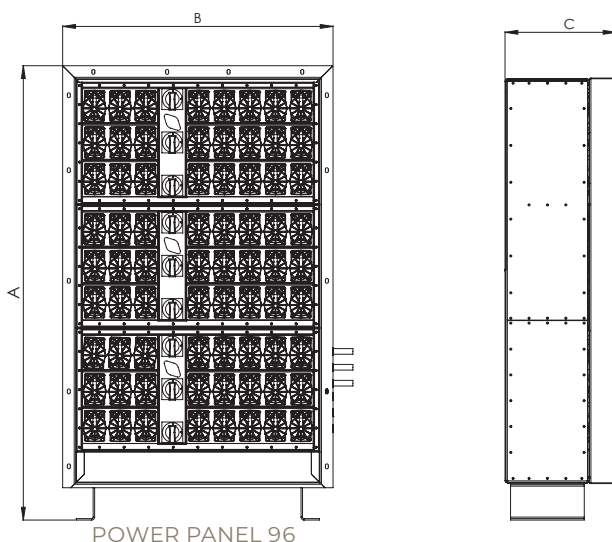
Gangs	Up to 96
Material and color	Housing, frame and cover made of stainless steel, front frame powder-coated (RAL 7006), flange and cap made of glass-fibre reinforced plastic
IP protection class	IP 67
Weight	max. 497 kg (96 gangs)
Environmental temperature	-25°C to +45°C
Input voltage	380 V AC and 400 V AC to 480 V AC at 50/60 Hz
Current	32 A
Connectors	CEE 32 A, 3-pole + PE
Circuit breaker	25 KA
Certificate	DNV Class Guideline DNVGL-CG-0339

Optionen

52 gangs
72 gangs
96 gangs
RAL color acc. to customer requirements

Dimensions

	A	B	C
PP 52	1925mm	600mm	394mm
PP 72	1717mm	1100mm	450mm
PP 96	2110mm	1100mm	45mm





CEE sockets

In this category you will find our brass CEE sockets which have proven themselves for decades. They are available in 16 A, 32 A and 63 A and have protection class IP 56.



CEE socket with switch 63 A

ARCHON



ARCHON 2050D

The ARCHON CEE plug is offered with a switch and a mechanical lock as standard. Optionally available with brass plug and coupling.

- + With switch and mechanical locking
- + Undetachable cover screws
- + Secured against uncontrolled pulling out

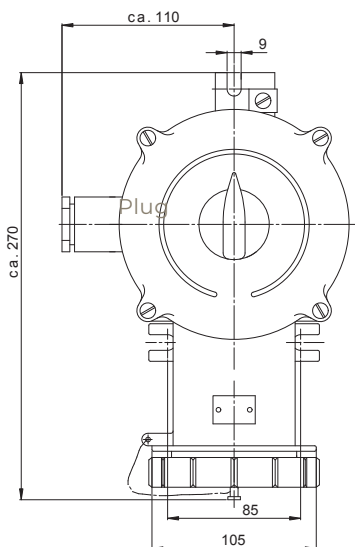
Technical Data

	Socket	Plug	Coupling
Material and color	Brass and steatite	Moulding material	Moulding material
IP protection class	IP 56	IP 56	IP 56
Cable glands	M36 x 2	M45 x 2 with screw bush	M45 x 2 with screw bush
Poles	3P+PE	3P+PE	3P+PE
Nominal voltage	max. 500 V AC	max. 500 V AC	max. 500 V AC
Nominal current	max. 63 A	max. 63 A	max. 63 A
Weight	approx. 6.8 kg	approx. 0.7 kg	approx. 0.9 kg

Variants

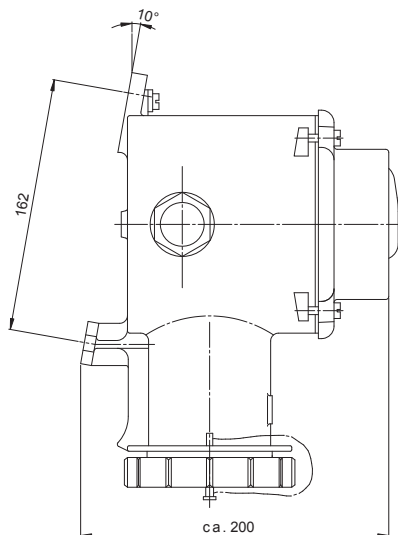
2050/R | 2050/L

2050/D



Polished finish at extra cost.

Socket



Optionen

Powdercoated acc. to customer requirements

Polished finish

CEE socket with switch 32 A

ARTEMIS



ARTEMIS 2005L

In the standard version, our ARTEMIS CEE socket is offered with a switch and a mechanical lock. Optionally available with brass plug and coupling.

- + High lifetime
- + Undetachable cover screws
- + Secured against uncontrolled pulling out

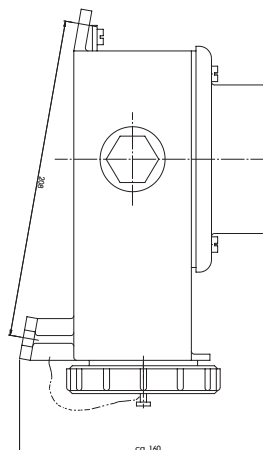
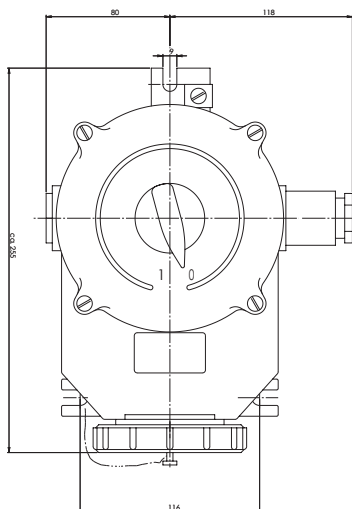
Technical Data

	Socket	Plug	Coupling
Material and color	Brass and steatite	Moulding material	Moulding material
IP protection class	IP 56	IP 56	IP 56
Cable glands	M30 x 2	M36 x 2 with screw bush	M36 x 2 with screw bush
Poles	3P+PE	3P+PE	3P+PE
Nominal voltage	max. 500 V AC	max. 500 V AC	max. 500 V AC
Nominal current	max. 32 A	max. 32 A	max. 32 A
Weight	approx. 6.3 kg	approx. 1.5 kg	approx. 0.4 kg

Variants

2005/R | 2005/L

2005/D



Socket

Optionen

Powdercoated acc. to customer requirements

Polished finish

Brass bayonet cap

Brass plug



LANGORA 1981R

High durability is the basis to withstand demanding conditions on board. The LANGORA family offers reliable solutions made of durable brass material.

- + High durability
- + Low space requirement
- + Robust design

Technical Data

	Socket	Plug
Material and color	Powdercoated brass	Powdercoated brass
IP protection class	IP 56	IP 56
Cable glands	M24 x 1.5	M24 x 1.5 with screw bush
Poles	2P+PE	2P+PE
Nominal voltage	max. 500 V AC	max. 500 V AC
Nominal current	max. 16 A	max. 16 A
Weight	approx. 1.4 kg	approx. 1.0 kg

Variants

1981/R | 1981/L

1981/D

1981/O

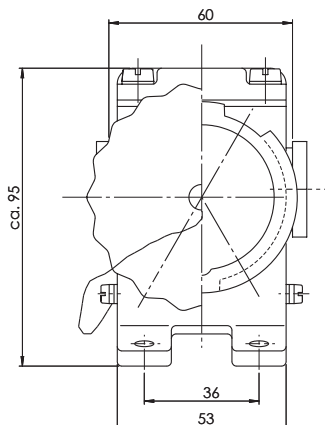


Optionen

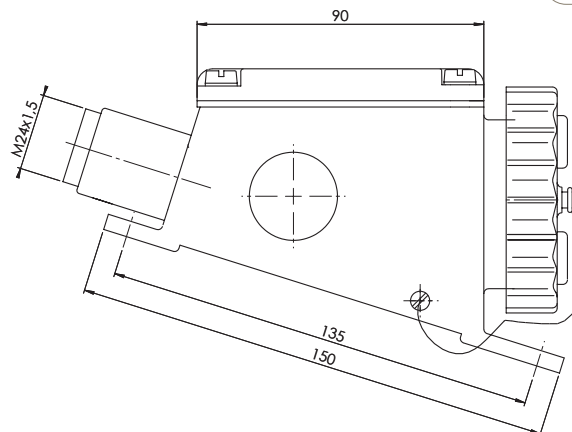
Powdercoated acc. to customer requirements

Uncoated

Polished finish



Polished finish at extra cost.



Socket

CEE socket 16 A

MIRCEA



MIRCEA 1980L

The MIRCEA family offers a reliable plug-in device made of resistant brass - designed for demanding conditions on board. Optionally available with brass plug and coupling.

- + High durability
- + Low space requirement
- + Undetachable cover screws

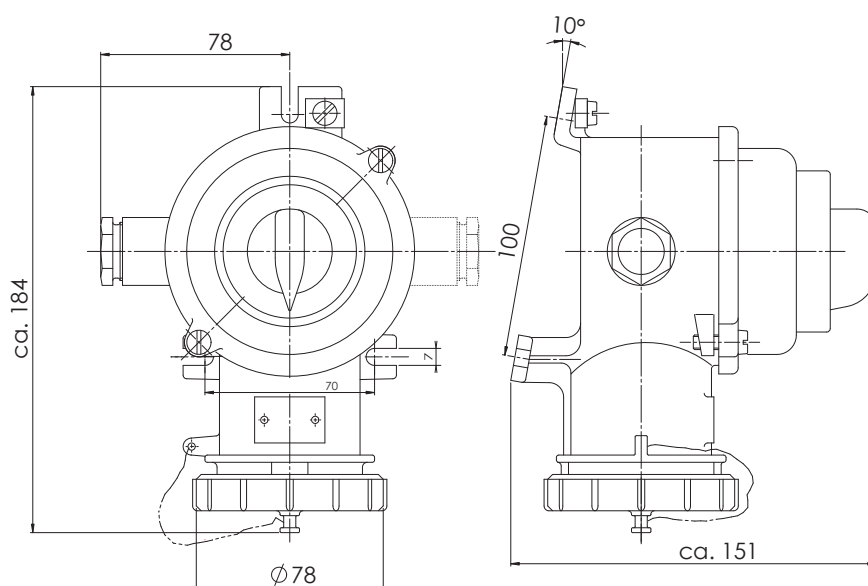
Technical Data

	Socket	Plug	Coupling
Material and color	Brass, moulding material and steatite	Moulding material and steatite	Moulding material
IP protection class	IP 56	IP 56	IP 56
Cable glands	M24 x 1.5	M30 x 2 with screw bush	M30 x 2 with screw bush
Poles	3P+PE	3P+PE	3P+PE
Nominal voltage	max. 500 V AC	max. 500 V AC	max. 500 V AC
Nominal current	max. 16 A	max. 16 A	max. 16 A
Weight	approx. 2.4 kg	approx. 0.3 kg	approx. 0.3 kg

Variants

1980/R | 1980/L

1980/D



Socket

Options

Powdercoated acc. to customer requirements

Polished finish

Brass plug

32 A, 63 A

Also available with switch

