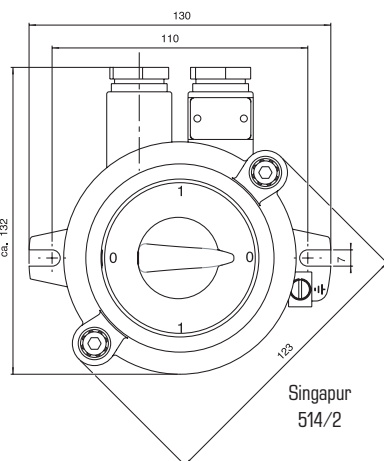
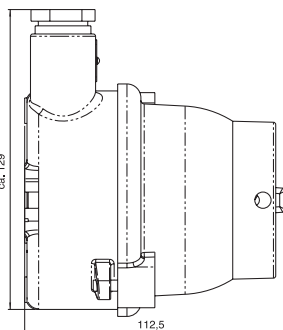


Explosion-proof Rotary Switch

Singapur
514/2

polished version

Singapur
514/2

Technical Data

| Name & No. | Diagram | kg | Description |
|----------------|---------|------|--|
| Singapur 514 | -O | 0,90 | <ul style="list-style-type: none"> • IP 56 • brass casing and cover • cable gland: M24x1.5 |
| Singapur 514/2 | O= | 0,95 | <ul style="list-style-type: none"> • undetachable inner hexagonal cover screws, ex-switch interior 2-pole cut out type, inside and outside earth connection. Also available with 1-pole change over switch interior |
| Singapur 514/D | -O- | 0,95 | <ul style="list-style-type: none"> • 660V AC • 16A • explosion-proof cut out rotary switch 16A max 660V AC PTB-No.:PTB 03 ATEX 1044x, ex-protection class: EEx de IIC T6 |

Spare Parts

| No. | kg | Description |
|-------|------|---------------------------------------|
| E514A | 0,14 | Ex-switch interior 2-pole cut out |
| E514W | 0,14 | Ex-switch interior 1-pole change over |
| 501/5 | 0,04 | Inner hexagonal key 5mm |

Polished products available for an extra charge