



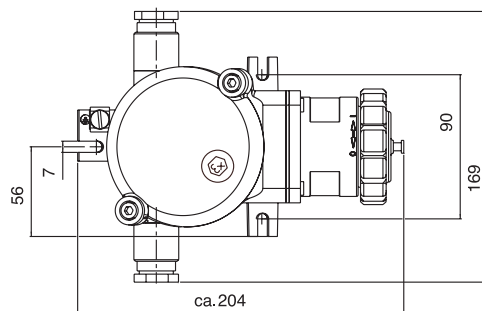
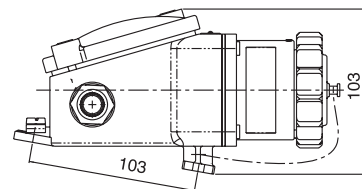
Busan
516/St



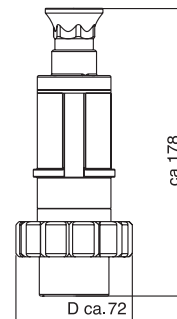
Busan
516/D

Technical Data

Name & No.	Diagram	kg	Description
Busan 516/L	-O	2,45	<ul style="list-style-type: none"> • ex-socket • IP 56
Busan 516/R	O-	2,45	<ul style="list-style-type: none"> • brass casing, cover and bayonet cap • cable gland: M24x1.5 • undetachable inner hexagonal cover screws, socket insert in protection pressure resistant enclosure, security switching arrangement with locking device, inside and outside earth connections
Busan 516/D	-O-	2,55	<ul style="list-style-type: none"> • 16A • explosion-proof socket 16A max 240V AC, PTB-No.03 ATEX 1050x, ex-protection class EEx ed IIC T6/T5. Nominal voltage: 100V-130V 4h 200V-240V 6h
Busan 516/St		1,18	<ul style="list-style-type: none"> • ex-plug • IP 56 • Brass plug sleeve and bayonet ring • 16A • explosion-proof plug 16A max 240V AC, PTB 03 ATEX 1050x, Ex-protection class EEx ed IIC T6/T5. Nominal voltage: 110V-130V 4h, 220V-240V 6h



Busan 516/D



Busan 516/St

Spare Parts

No.	kg	Description
5160	0,75	Ex-socket insert 16A with brass flange and gasket
501/5	0,04	Inner hexagonal key 5mm
5161	0,14	Ex-plug interior 16A

Polished products available for an extra charge

When ordering, please state position of earth contact (o'clock position) or operation voltage.

