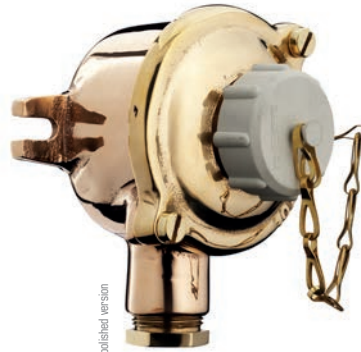


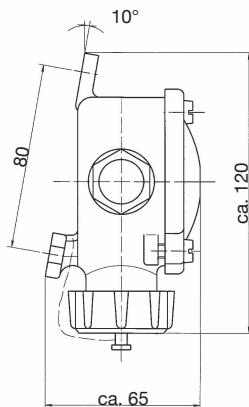
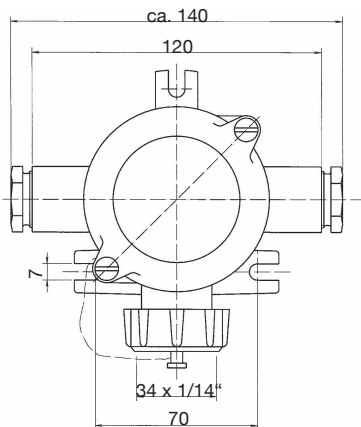


Tampa
207/D



Tampa
209

Tampa
207/D



Technical Data

Name & No.	Diagram	Pole	kg	Description
Tampa 207/L	-O	2P	0,80	<ul style="list-style-type: none"> concentric socket IP56
Tampa 207/R	O-	2P	0,80	<ul style="list-style-type: none"> brass casing and cover, plastic screw cap cable gland: M24x1.5 und detachable cover screws M6, 2-pole steatite contact interior 10A max 50V
Tampa 207/D	-O	2P	0,88	<ul style="list-style-type: none"> max. 50V 10A
Tampa 207/2/L	=O	2P	0,95	<ul style="list-style-type: none"> also available for secondary lower voltage with lengthened contactsleeve
Tampa 207/2/R	O=	2P	0,95	
Tampa 209	O-	2P	0,76	<ul style="list-style-type: none"> concentric socket IP56
Tampa 209/2	O=	2P	0,93	<ul style="list-style-type: none"> brass casing and cover, plastic screw cap cable gland: M24x1.5 und detachable cover screws M6, 2-pole steatite socket interior 10A max 50V
Tampa 209/D	-O	2P	0,80	<ul style="list-style-type: none"> max. 50V 10A

Spare Parts

No.	kg	Description
418	0,10	2-pole steatite socket interior 10A max. 50V for Tampa 209
419	0,10	2-pole steatite socket interior 10A max. 50V for Tampa 207

Also for second low voltage with extended contact socket and according to VG 88877 available.

Also available with brass screw cap supplement charge.

Polished products available for an extra charge.



Tampa
210/J

Technical Data

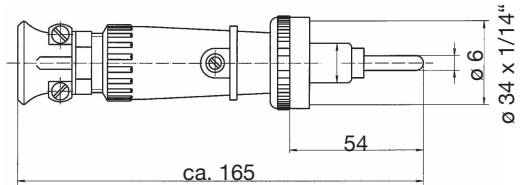
Name & No.	Pole	kg	Description
Tampa 210/J	2P	0,13	<ul style="list-style-type: none"> • concentric plug • IP56 • 2-pole steatite plug interior 10A max 50V, screw bush with stress relief made of plastic • max. 50V • 10A • Also available for secondary lower voltage with short plug pin.
Tampa 228	2P	0,13	<ul style="list-style-type: none"> • concentric coupling • IP56 • 2-pole plastic socket interior 10A max 50V. Screw bush with stress relief made of plastic • max. 50V • 10A

Spare Parts

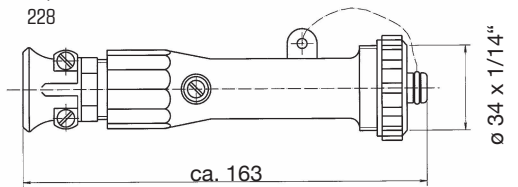
No.	kg	Description
420	0,05	2-pole steatite plug interior 10A max. 50V

Also available with brass screw cap supplement charge.

Tampa
210/J



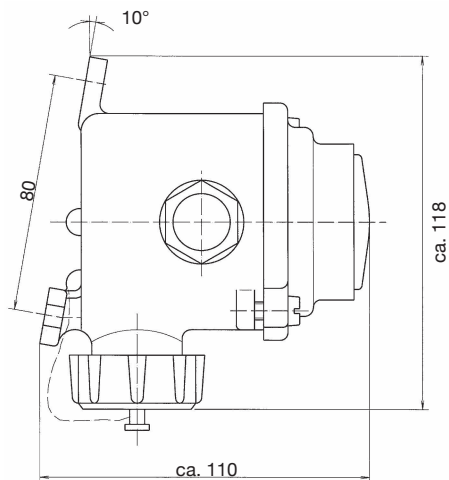
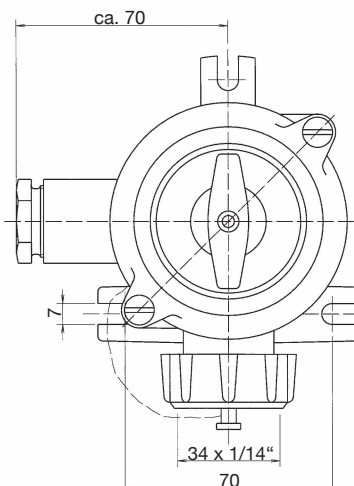
Tampa
228



Concentric Socket with Switch 2-pole, max. 50V



polished version

Tampa
211/L**Technical Data**

Name & No.	Diagram	Pole	kg	Description
Tampa 211/L	-O	2P	1,17	<ul style="list-style-type: none"> • IP56 • brass casing and cover, plastic screw cap • cable gland: M24x1.5
Tampa 211/R	O-	2P	1,17	<ul style="list-style-type: none"> • 2-pole steatite socket interior 10A max 50V, • switch interior 2-pole cut-out acc. to DIN 89322-1/2, undetachable cover screws M6
Tampa 211/D	-O-	2P	1,22	<ul style="list-style-type: none"> • max. 50V • 10A
Tampa 211/2/L	=O	2P	1,27	
Tampa 211/2/R	O=	2P	1,27	

Spare Parts

No.	kg	Description
419	0,10	2-pole steatite socket interior 10A max. 50V

Also available with brass screw cap supplement charge.

Polished products available for an extra charge.



polished version

Tampa
211/L/T

Technical Data

Name & No.	Diagram	Pole	kg	Description
Tampa 211/L/T	-O	2P	1,17	<ul style="list-style-type: none"> • IP56 • brass casing and cover, plastic screw cap • cable gland: M24x1.5 • undetachable cover screws M6, socket interior, contact interior 1-pole working current • max. 50V • 6A C, 1,2A DC
Tampa 211/R/T	O-	2P	1,17	
Tampa 211/D/T	-O-	2P	1,22	
Tampa 211/2/L/T	=O	2P	1,27	
Tampa 211/2/R/T	O=	2P	1,27	

Spare Parts

No.	kg	Description
419	0,10	socket interior

Also available with brass screw cap supplement charge.

Polished products available for an extra charge.

Tampa
211/L

