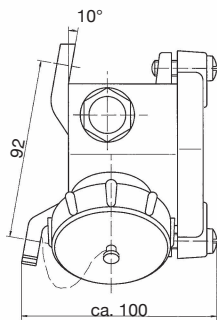
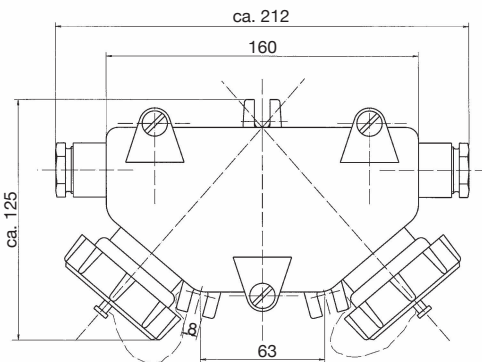




polished version

Norton
229a

Norton
229



Technical Data

Name & No.	Pole	kg	Description
Norton 129	2P+PE	2,50	<ul style="list-style-type: none"> • socket • IP56
Norton 129a	2P+PE	2,80	<ul style="list-style-type: none"> • brass casing and cover, plastic screw cap • cable gland: M24x1.5 • undetachable cover screws M8, steatite socket interior acc. to DIN 89320 • max. 150V (design 1) • 10A
Norton 229	2P+PE	2,50	<ul style="list-style-type: none"> • socket • IP56
Norton 229a	2P+PE	2,80	<ul style="list-style-type: none"> • brass casing and cover, plastic screw cap • cable gland: M24x1.5 • undetachable cover screws M8, steatite socket interior acc. to DIN 89320 • max. 250V (design 2) • 10A

Spare Parts

No.	kg	Description
159	0,08	socket interior acc. to DIN 89320, design 1, max. 150V
160	0,08	socket interior acc. to DIN 89320, design 2, max. 250V
430	0,05	plastic screw cap R1 3/4", complete
430/Ms	0,12	brass screw cap R1 3/4", complete

Polished products available for an extra charge.

