



Delagoa 273



Delagoa 274



Delagoa 272/2/L

Technical Data

Name & No.	Diagram	Pole	kg	Description
Delagoa 272/L	-O	4P	0,85	<ul style="list-style-type: none"> • socket • especially for telephone and microphone installation
Delagoa 272/R	O-	4P	0,85	<ul style="list-style-type: none"> • IP56 • brass casing and cover, plastic screw cap • cable gland: M24x1.5
Delagoa 272/2/L	=O	4P	0,90	<ul style="list-style-type: none"> • 4-pole steatite socket interior, undetachable cover screws M6
Delagoa 272/2/R	O=	4P	0,90	<ul style="list-style-type: none"> • max. 50V • 6A
Delagoa 273		4P	0,30	<ul style="list-style-type: none"> • plug • IP56 • brass casing and threaded sleeve • 4-pole steatite plug interior • max. 50V • 6A
Delagoa 274		4P	0,29	<ul style="list-style-type: none"> • coupling • IP56 • brass casing • 4-pole steatite coupling interior • max. 50V • 6A

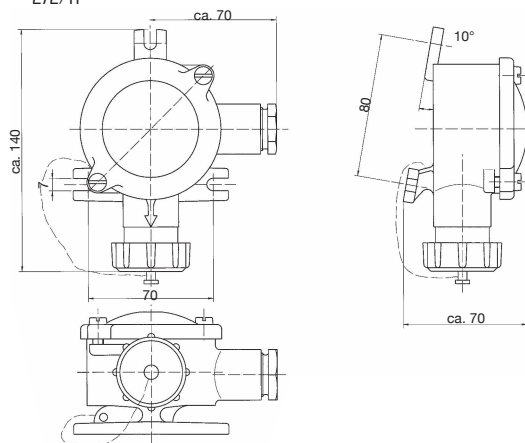
Spare Parts

No.	kg	Description
272E	0,05	4-pole steatite socket interior max. 50V
273E	0,03	4-pole steatite plug interior max. 50V
274E	0,04	4-pole steatite coupling interior max. 50V

Polished products available for an extra charge.

Also available with brass screw cap supplement charge.

Delagoa 272/R



Delagoa 273

