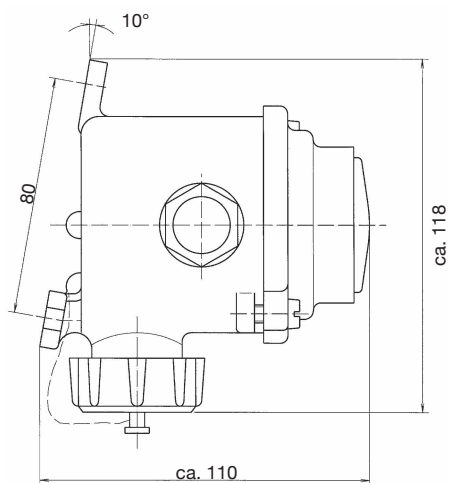
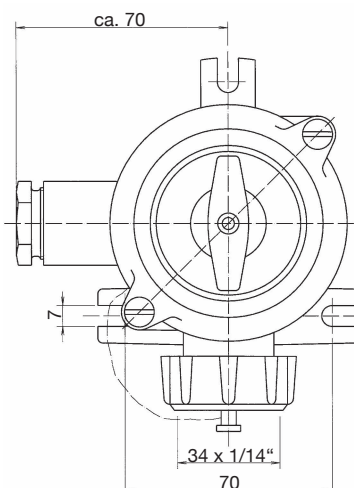


Concentric Socket with Switch 2-pole, max. 50V

Tampa  
211/L**Technical Data**

Name & No.	Diagram	Pole	kg	Description
Tampa 211/L	-O	2P	1,17	<ul style="list-style-type: none"> <li>• IP56</li> <li>• brass casing and cover, plastic screw cap</li> <li>• cable gland: M24x1.5</li> </ul>
Tampa 211/R	O-	2P	1,17	<ul style="list-style-type: none"> <li>• 2-pole steatite socket interior 10A max 50V,</li> <li>• switch interior 2-pole cut-out acc. to DIN 89322-1/2, undetachable cover screws M6</li> </ul>
Tampa 211/D	-O-	2P	1,22	<ul style="list-style-type: none"> <li>• max. 50V</li> <li>• 10A</li> </ul>
Tampa 211/2/L	=O	2P	1,27	
Tampa 211/2/R	O=	2P	1,27	

**Spare Parts**

No.	kg	Description
419	0,10	2-pole steatite socket interior 10A max. 50V

Also available with brass screw cap supplement charge.

Polished products available for an extra charge.





polished version

Tampa  
211/L/T

**Technical Data**

Name & No.	Diagram	Pole	kg	Description
Tampa 211/L/T	-O	2P	1,17	<ul style="list-style-type: none"> <li>• IP56</li> <li>• brass casing and cover, plastic screw cap</li> <li>• cable gland: M24x1.5</li> <li>• undetachable cover screws M6, socket interior, contact interior 1-pole working current</li> <li>• max. 50V</li> <li>• 6A C, 1,2A DC</li> </ul>
Tampa 211/R/T	O-	2P	1,17	
Tampa 211/D/T	-O-	2P	1,22	
Tampa 211/2/L/T	=O	2P	1,27	
Tampa 211/2/R/T	O=	2P	1,27	

**Spare Parts**

No.	kg	Description
419	0,10	socket interior

Also available with brass screw cap supplement charge.

Polished products available for an extra charge.

Tampa  
211/L

