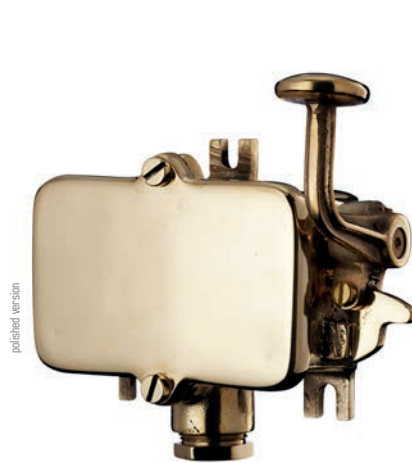
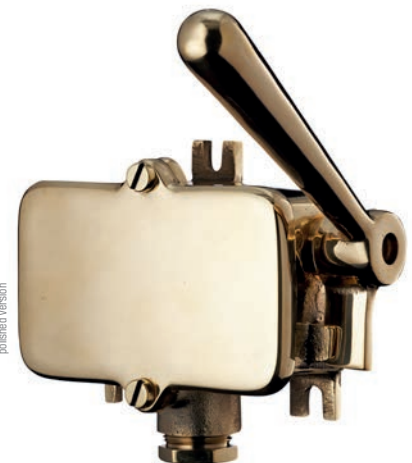


Morse Key, Typhoon-Switch



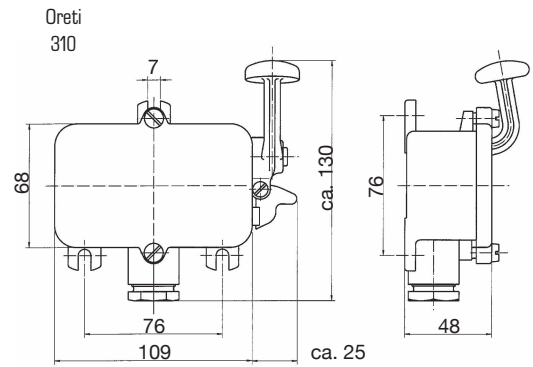
Oreti 310



Oreti 311

**Technical Data**

Name & No.	Diagram	kg	Description
Oreti 310	O-	1,18	<ul style="list-style-type: none"> <li>• IP56</li> <li>• brass casing and cover</li> <li>• cable gland: M24x1.5</li> <li>• with 1-pole working current and closed circuit current, with setting device</li> <li>• 230V</li> <li>• 6A</li> </ul>
Oreti 311	O-	1,18	<ul style="list-style-type: none"> <li>• IP56</li> <li>• brass casing and cover</li> <li>• cable gland: M24x1.5</li> <li>• with 1-pole working current and closed circuit current</li> <li>• 230V</li> <li>• 6A</li> </ul>



**Spare Parts**

No.	kg	Description
310E / 311E	0,10	Switch interior 1-pole working current and closed circuit current

Polished products available for an extra charge.

