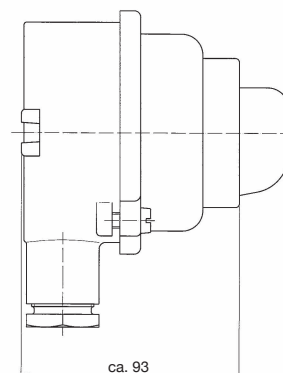
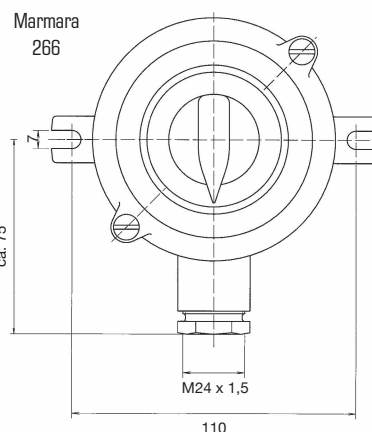




Marmara  
266/3

**Technical Data**

Name & No.	Diagram	Pole	kg	Description
Marmara 266	O-	2P	1,15	<ul style="list-style-type: none"> <li>• IP56</li> <li>• brass casing and cover</li> </ul>
Marmara 266/2	O=	2P	1,20	<ul style="list-style-type: none"> <li>• cable gland: M24x1.5</li> <li>• switch interior 16A-1/2, 2-pole cut-out type 16A 380V AC/250V DC</li> </ul>
Marmara 266/D	-O-	2P	1,20	<ul style="list-style-type: none"> <li>• 400V AC/250V DC</li> <li>• 16A</li> </ul>
Marmara 266/3	=O-	2P	1,25	
Marmara 267/2	O=	2P	1,60	<ul style="list-style-type: none"> <li>• IP56</li> <li>• brass casing and cover</li> <li>• cable gland: M24x1.5</li> </ul>
Marmara 267/D	-O-	2P	1,60	<ul style="list-style-type: none"> <li>• switch interior 16A-4/2, 2-pole change-over type 16A 380V AC/250V DC</li> </ul>
Marmara 267/3	=O-	2P	1,65	<ul style="list-style-type: none"> <li>• 400V AC/250V DC</li> <li>• 16A</li> </ul>
Marmara 366	O-	3P	1,25	<ul style="list-style-type: none"> <li>• IP56</li> <li>• brass casing and cover</li> <li>• cable gland: M24x1.5</li> </ul>
Marmara 366/2	O=	3P	1,30	<ul style="list-style-type: none"> <li>• switch interior 16A-1/3, 3-pole cut-out type 16A 380V AC/250V DC</li> </ul>
Marmara 366/D	-O-	3P	1,30	<ul style="list-style-type: none"> <li>• 400V AC/250V DC</li> <li>• 16A</li> </ul>
Marmara 366/3	=O-	3P	1,35	
Marmara 367/2	O=	3P	1,60	<ul style="list-style-type: none"> <li>• IP56</li> <li>• brass casing and cover</li> <li>• cable gland: M24x1.5</li> </ul>
Marmara 367/D	-O-	3P	1,60	<ul style="list-style-type: none"> <li>• switch interior 16A-4/3, 3-pole change-over type 16A 380V AC/250V DC</li> </ul>
Marmara 367/3	=O-	3P	1,65	<ul style="list-style-type: none"> <li>• 400V AC/250V DC</li> <li>• 16A</li> </ul>



(267/366: ca. 106)  
(367: ca. 120)

**Spare Parts**

No.	kg	Description
266E	0,16	switch interior 16A-1/2, 2-pole cut-out type
366E	0,18	switch interior 16A-1/3, 3-pole cut-out type
267E	0,19	switch interior 16A-4/2, 2-pole change over type
367E	0,22	switch interior 16A-4/3, 3-pole cut-out type

Other types of switches upon request.

Polished products available for an extra charge.

