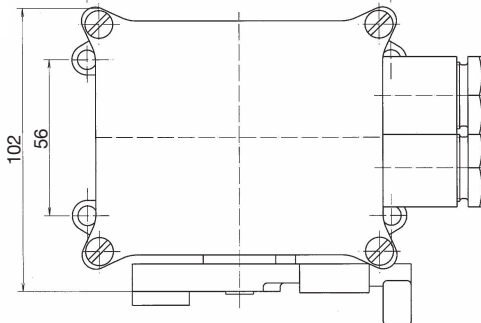
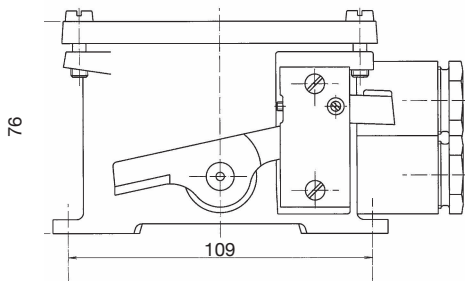
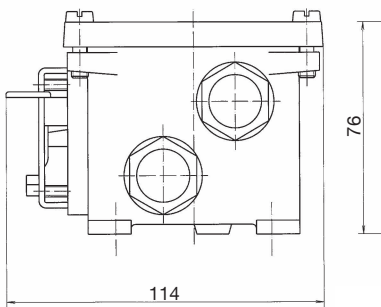
Lynn  
328/2**Technical Data**

Name & No.	Diagram	kg	Description
Lynn 328	O-	1,78	<ul style="list-style-type: none"> <li>• IP56</li> <li>• brass casing and cover</li> <li>• cable gland: M24x1.5</li> </ul>
Lynn 328/2	O=	1,86	<ul style="list-style-type: none"> <li>• 2-pole cut-out type, toggle-switch interior 10A 250V AC, 2A 230V DC, undetachable cover screws M6</li> </ul>
Lynn 328/D	-O-	1,86	<ul style="list-style-type: none"> <li>• 250V AC/230V DC</li> <li>• 10A AC/2A DC</li> </ul>
Lynn 328/4	=O=	2,05	<ul style="list-style-type: none"> <li>• shock tested</li> </ul>

**Spare Parts**

No.	kg	Description
328E	0,06	toggle-switch interior 2-pole cut-out type 10A 250V AC, 2A 230V DC

Polished products available for an extra charge.

Also available with locking device.