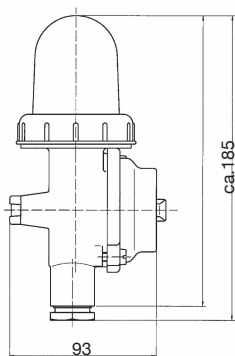
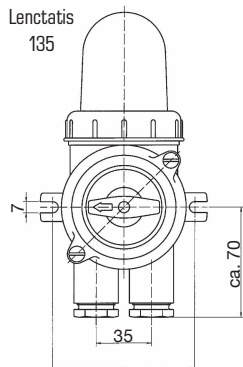
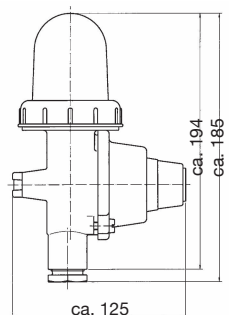
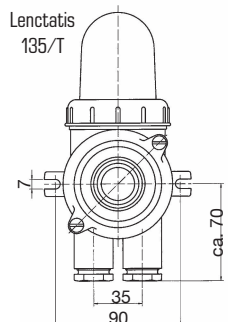


Switch/Push Button with Control-Light

Lenctatis
135Lenctatis
135/TLenctatis
135Lenctatis
135/T

Technical Data

Name & No.	Diagram	kg	Description
Lenctatis 135	O=	1,10	<ul style="list-style-type: none"> • IP56 • brass casing, cover and sleeve, cylindrical glass red • cable gland: M24x1.5 • with lampholder E14 for bulb up to 15W or conical bulb 10/6W • switch interior 2-pole cut-out type acc. to DIN 89322-1/2, undetachable cover screws M6 • max. 250V • 10A AC/DC
Lenctatis 135/T	O=	1,20	<ul style="list-style-type: none"> • IP56 • brass casing, cover and sleeve, cylindrical glass red • cable gland: M24x1.5 • with lampholder E14 for bulb up to 15W or conical bulb 10/6W • switch interior 1-pole working current and closed circuit current, undetachable cover screws M6 • 500V AC at 2A/220V DC at 0,3A

Spare Parts

No.	kg	Description
406	0,10	switch interior 2-pole cut-out acc. to DIN 89322-1/2, 10A AC/DC, max. 250V
E136T	0,04	push button insert 500V AC at 2A/220V DC at 0,3A
398/red	0,11	cylindrical glass red, 64 x 73mm
465	0,04	double bracket lampholder E14, shake protected

Also available with clear, green, blue, yellow and frosted glass.

Polished products available for an extra charge.

Switch/Push Button with Control-Light (Glow Lamp)



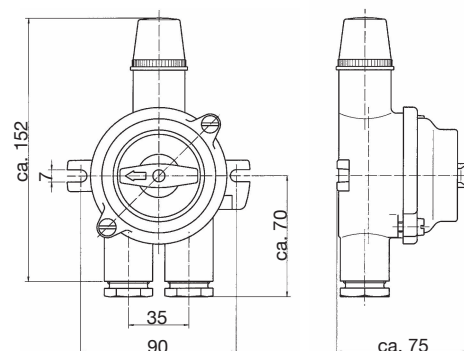
Lenctatis
136

Lenctatis
136/T

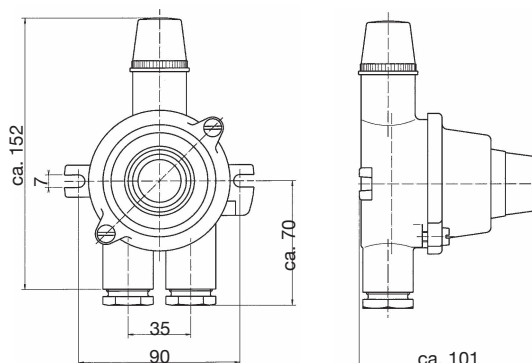
Technical Data

Name & No.	Diagram	kg	Description
Lenctatis 136	O=	1,15	<ul style="list-style-type: none"> • IP56 • brass casing, cover and sleeve, plexiglass covering red • cable gland: M24x1.5 • with lampholder E 14 and glow-lamp • switch interior 1-pole cut-out type acc. to DIN 89322-1/2, undetachable cover screws M6 • max. 250V • 10A AC/DC
Lenctatis 136/T	O=	1,20	<ul style="list-style-type: none"> • IP56 • brass casing, cover and sleeve, plexiglass covering red • cable gland: M24x1.5 • with lampholder E 14 and glow lamp • push button insert 1-pole working current and closed circuit, undetachable cover screws M6 • 500V AC at 2A/220V DC at 0,3A

Lenctatis
136



Lenctatis
136/T



Spare Parts

No.	kg	Description
406	0,10	switch interior 2-pole cut-out acc. to DIN 89322-1/2, 10A AC/DC, max. 250V
E136T	0,04	push button insert 500V AC at 2A/220V DC at 0,3A

Polished products available for an extra charge.