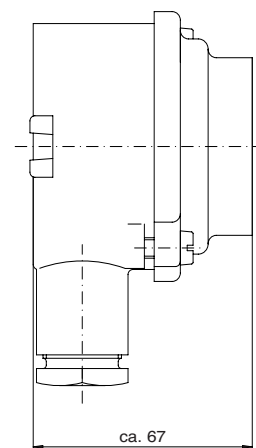
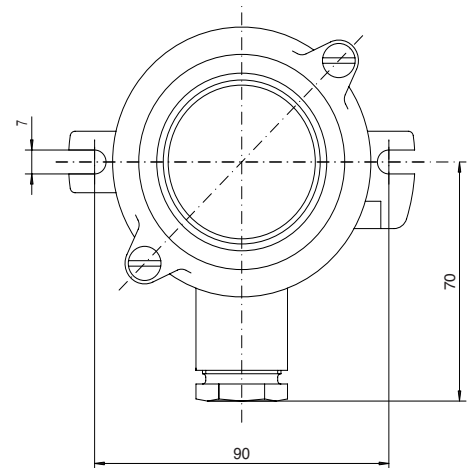




Kattegat
173

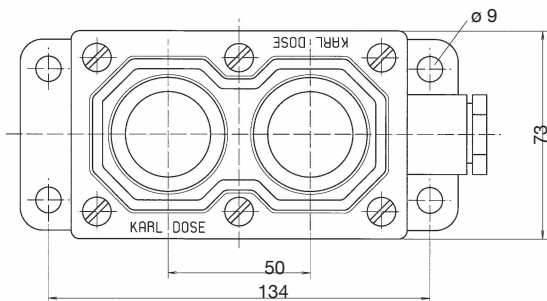
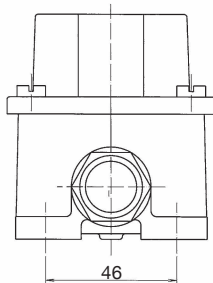
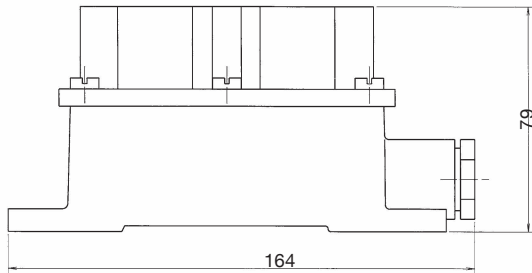
Technical Data

Name & No.	Diagram	kg	Description
Kattegat 173	O-	0,84	<ul style="list-style-type: none"> • IP56 • brass casing and cover • cable gland: M24x1.5
Kattegat 173/2	O=	0,92	<ul style="list-style-type: none"> • undetachable cover screws M6, contact interior for 1-pole working current and closed circuit current
Kattegat 173/D	-O-	0,90	<ul style="list-style-type: none"> • max. 500V AC at 2A/max. 220V DC at 0,3A • 6A • neoprene membrane seals off push button
Kattegat 275	O-	0,84	<ul style="list-style-type: none"> • IP56 • brass casing and cover • cable gland: M24x1.5
Kattegat 275/2	O=	0,92	<ul style="list-style-type: none"> • undetachable cover screws M6, contact interior for 2-pole working current
Kattegat 275/D	-O-	0,90	<ul style="list-style-type: none"> • max. 500V AC at 2A/max. 220V DC at 0,3A • 6A • neoprene membrane seals off push button
Kattegat 276	O-	0,84	<ul style="list-style-type: none"> • IP56 • brass casing and cover • cable gland: M24x1.5
Kattegat 276/2	O=	0,92	<ul style="list-style-type: none"> • undetachable cover screws M6, contact interior for 2-pole closed circuit current
Kattegat 276/D	-O-	0,90	<ul style="list-style-type: none"> • max. 500V AC at 2A/max. 220V DC at 0,3A • 6A • neoprene membrane seals off push button



Spare Parts on Request

Polished products available for an extra charge.

Kattegat
1732**Technical Data**

Name & No.	Diagram	kg	Description
Kattegat 1732	O-	1,53	<ul style="list-style-type: none"> empty casing for button, switch or signallight interiors IP56
Kattegat 1732/D	-O-	1,64	<ul style="list-style-type: none"> brass casing and cover cable gland: M24x1.5 und detachable cover screws M6 max. 500V at 2A (depends on mounting elements)
..1		0,04	push button green
..2		0,04	push button red
..3		0,03	indication light green
..4		0,03	indication light red
..5		0,04	push button with green light
..6		0,04	push button with red light
..7		0,05	emergency switch-off button red

On request: push button black with arrow, indication light white or push button with white light.

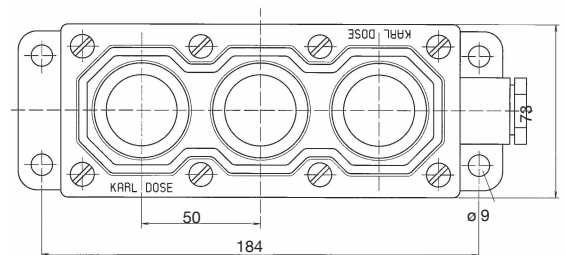
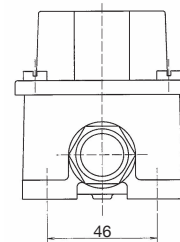
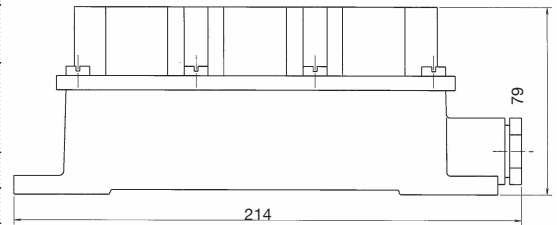
All devices are available with inserts 2 working current and 2 closed circuit current.

Polished products available for an extra charge.





Kattegat
1733



Technical Data

Name & No.	Diagram	kg	Description
Kattegat 1733	O-	1,92	<ul style="list-style-type: none"> empty casing for three button, switch or signallight interiors IP56
Kattegat 1733/D	-O-	2,03	<ul style="list-style-type: none"> brass casing and cover cable gland: M24x1.5 und detachable cover screws M6 max. 500V at 2A (depends on mounting elements)
..1		0,04	• push button green
..2		0,04	• push button red
..3		0,03	• indication light green
..4		0,03	• indication light red
..5		0,04	• push button with green light
..6		0,04	• push button with red light
..7		0,05	• emergency switch-off button red

On request: push button black with arrow, indication light white or push button with white light.

All devices are available with inserts 2 working current and 2 closed circuit current.

Polished products available for an extra charge.