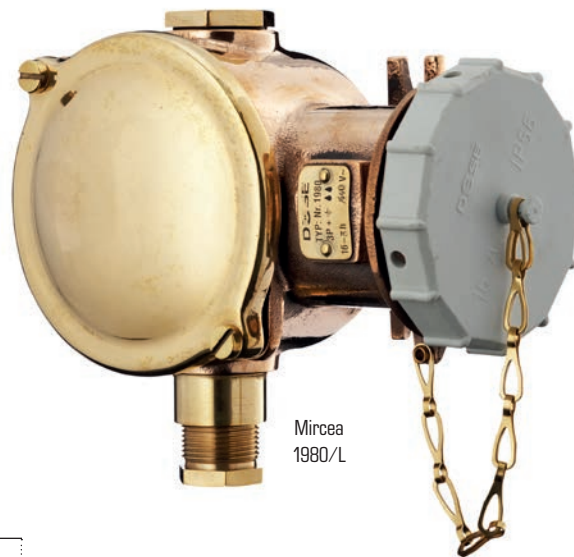




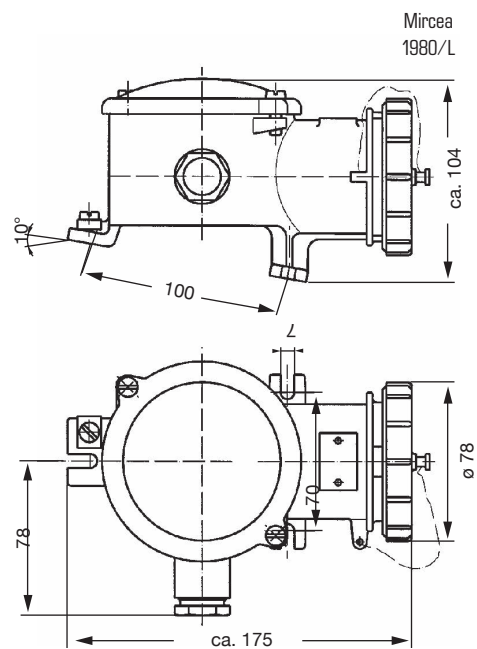
Mircea 1980/St



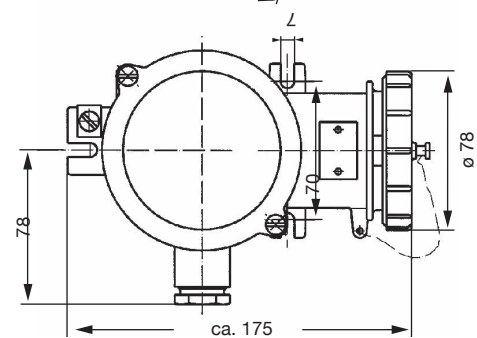
Mircea 1980/L

Technical Data

| Name & No. | Diagram | kg | Description |
|------------------|---------|------|--|
| Mircea 1980/R | O- | 2,30 | <ul style="list-style-type: none"> • CEE-socket 16A • IP 56 |
| Mircea 1980/L | -O | 2,30 | <ul style="list-style-type: none"> • brass casing and cover, plastic bayonet cap, steatite socket interior • 3P+PE |
| Mircea 1980/D | -O- | 2,40 | <ul style="list-style-type: none"> • max. 500V AC • cable gland: M24x1,5 • undetachable cover screws M6 |
| Mircea 1980/St | | 1,10 | <ul style="list-style-type: none"> • CEE-plug 16A • IP 56 • brass plug sleeve and bayonet ring, steatite plug interior • 3P+PE • max. 500V AC • cable gland: M30x2 with threaded bushing |
| Mircea 1980/P/St | | 0,25 | <ul style="list-style-type: none"> • CEE-plug 16A • IP 56 • plastic casing, steatite plug interior • 3P+PE • max. 500V AC • cable gland: M30x2 with threaded bushing |
| Mircea 1980/P/K | | 0,30 | <ul style="list-style-type: none"> • CEE-coupling 16A • IP 56 • plastic casing • 3P+PE • max. 500V AC |



Mircea 1980/L



Spare Parts

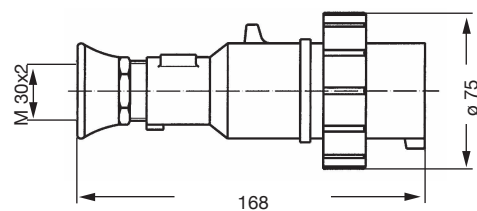
| No. | kg | Description |
|------|------|------------------------------------|
| 2016 | 0,20 | steatite socket interior 16A 3P+PE |
| 16 | 0,14 | steatite plug interior 16A 3P+PE |

When ordering, please state position of earth contact (o'clock position) or operation voltage.

Sockets 32A and 63A without switch and locking mechanism available.

Available with brass cap, supplement charge.

Polished products available for an extra charge.



Mircea 1980/St