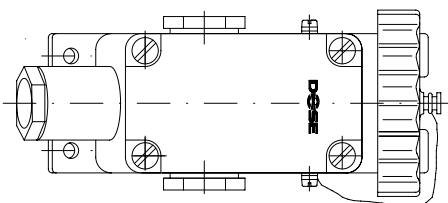
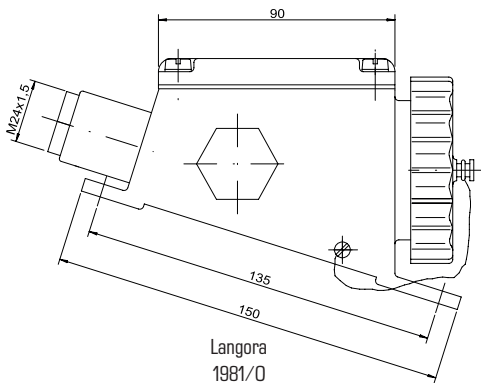
Langora
1981/R**Technical Data**

Name & No.	Diagram	kg	Description
Langora 1981/R	O-	1,32	<ul style="list-style-type: none"> • CEE-socket 16A • IP 56
Langora 1981/L	-O	1,32	<ul style="list-style-type: none"> • brass casing, cover and bayonet cap powder coated, plastic socket interior • 2P+PE
Langora 1981/D	-O-	1,39	<ul style="list-style-type: none"> • max. 500V AC • cable gland: M24x1,5 • undetachable cover screws M6
Langora 1981/O	0	1,32	
Langora 1981/St		1,00	<ul style="list-style-type: none"> • CEE-plug 16A • IP 56 • brass plug sleeve and bayonet cap, plastic plug interior • 2P+PE • max. 500V AC • cable gland: M24x1,5 with threaded bushing

**Spare Parts**

No.	kg	Description
1981ED	0,10	plastic socket interior 16A 2P+PE
1981ES	0,10	plastic plug interior 16A 2P+PE

When ordering, please state position of earth contact (o'clock position) or operation voltage.

