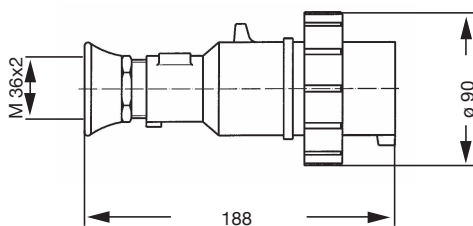
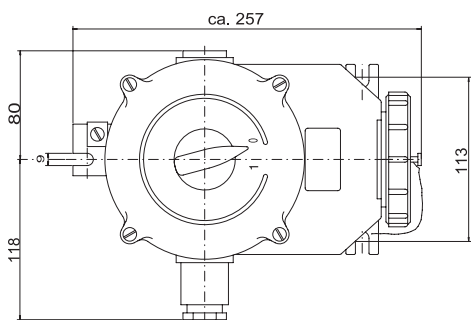
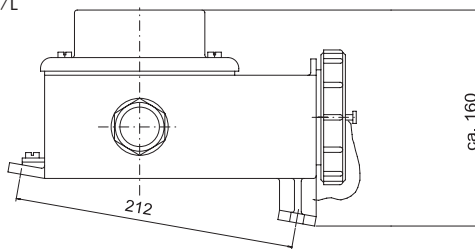


CEE-Socket and Plug 32A

Artemis
2005/L

Artemis 2005/St

Artemis
2005/L

Artemis 2005/St

Technical Data

| Name & No. | Diagram | kg | Description |
|-------------------|---------|------|---|
| Artemis 2005/R | O- | 6,10 | <ul style="list-style-type: none"> CEE-socket 32A IP 56 |
| Artemis 2005/L | -O | 6,10 | <ul style="list-style-type: none"> brass casing and cover, plastic bayonet cap, glassfibre reinforced plastic socket interior, contact- and earthsleeve nickel plated |
| Artemis 2005/D | -O- | 6,25 | <ul style="list-style-type: none"> 3P+PE max. 500V AC cable gland: M30x2 glassfibre reinforced plastic socket interior for worst mechanical conditions constant contact-pressure by sleevesprings made of stainless steel with switch 32A and mechanical blocking mechanism undetachable cover screws M6 |
| Artemis 2005/St | | 1,50 | <ul style="list-style-type: none"> CEE-plug 32A IP 56 brass plug sleeve and bayonet ring, steatite plug interior 3P+PE max. 500V AC cable gland: M36x2 with threaded bushing |
| Artemis 2005/P/St | | 0,31 | <ul style="list-style-type: none"> CEE-plug 32A IP 56 plastic casing, steatite plug interior 3P+PE max. 500V AC cable gland: M36x2 with threaded bushing |
| Artemis 2005/P/K | | 0,39 | <ul style="list-style-type: none"> CEE-coupling 32A IP 56 plastic casing 3P+PE max. 500V AC |

Spare Parts

| No. | kg | Description |
|------|------|----------------------------|
| 2032 | 0,36 | socket interior 32A |
| 1432 | 0,57 | switch interior 32A |
| 32G | 0,03 | threaded ring M58x1,5 |
| 32 | 0,23 | steatite plug interior 32A |

When ordering, please state position of earth contact (o'clock position) or operation voltage.

Monitoring-socket, available with brass cap, supplement charge.

Polished products available for an extra charge.

Alterations and technical developments reserved.